

OPERATOR'S MANUAL

MANUEL D'UTILISATION
MANUAL DEL OPERADOR

18 VOLT STRING TRIMMER/EDGER
18 V TONDEUSE À FOUET/TAILLE-BORDURE
18 V RECORTADORA DE HILO/
RECORTADORA DE BORDES

P2005

**ACCEPTS ALL ONE+ BATTERY PACKS
BATTERIES AND CHARGERS SOLD SEPARATELY**

**COMPATIBLE AVEC TOUS LE BATTERIES ONE+
BATTERIES ET CHARGEUR VENDUS SÉPARÉMENT**

**ACEPTA TODOS LOS PAQUETES DE BATERÍAS ONE+
LAS BATERÍAS Y EL CARGADOR SE VENDEN POR SEPARADO**

Your trimmer has been engineered and manufactured to our high standard for dependability, ease of operation, and operator safety. When properly cared for, it will give you years of rugged, trouble-free performance.

⚠ WARNING: To reduce the risk of injury, the user must read and understand the operator's manual before using this product.

Thank you for your purchase.

SAVE THIS MANUAL FOR FUTURE REFERENCE

Le taille-bordures à ligne a été conçue et fabriquée conformément à nos strictes normes de fiabilité, simplicité d'emploi et sécurité d'utilisation. Correctement entretenue, elle vous donnera des années de fonctionnement robuste et sans problème.

Su recortadoras de hilo ha sido diseñada y fabricada de conformidad con las estrictas normas para brindar fiabilidad, facilidad de uso y seguridad para el operador. Con el debido cuidado, le brindará muchos años de sólido y eficiente funcionamiento.

⚠ AVERTISSEMENT : Pour réduire les risques de blessures, l'utilisateur doit lire et veiller à bien comprendre le manuel d'utilisation avant d'employer ce produit.

⚠ ADVERTENCIA: Para reducir el riesgo de lesiones, el usuario debe leer y comprender el manual del operador antes de usar este producto.

Merci de votre achat.

Le agradecemos su compra.

**CONSERVER CE MANUEL POUR
FUTURE RÉFÉRENCE**

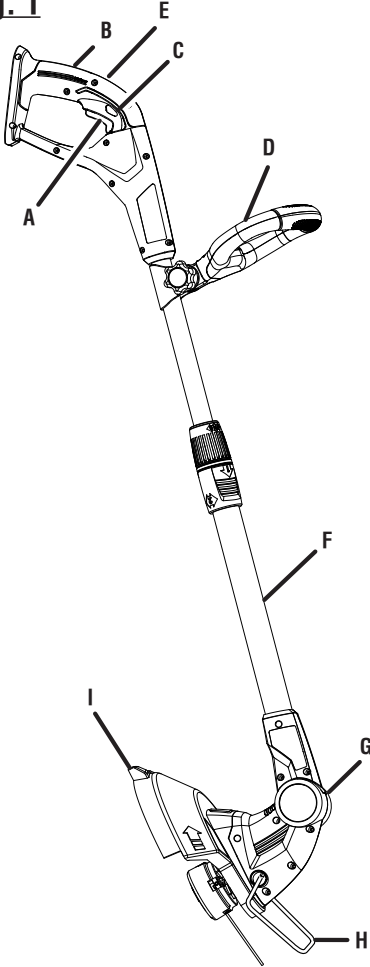
**GUARDE ESTE MANUAL PARA
FUTURAS CONSULTAS**

See this fold-out section for all the figures referenced in the operator's manual.

Voir que cette section d'encart pour toutes les figures a adressé dans le manuel d'utilisation.

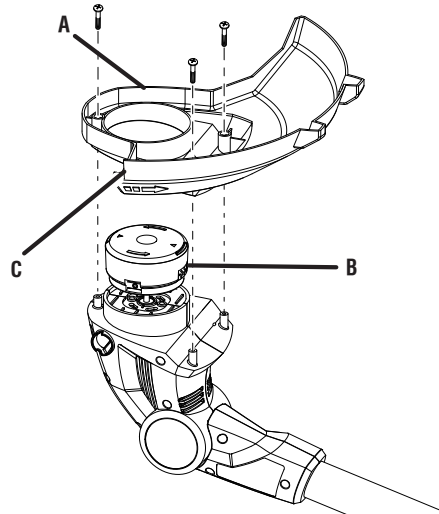
Vea esta sección de la página desplegable para todas las figuras mencionó en el manual del operador.

Fig. 1



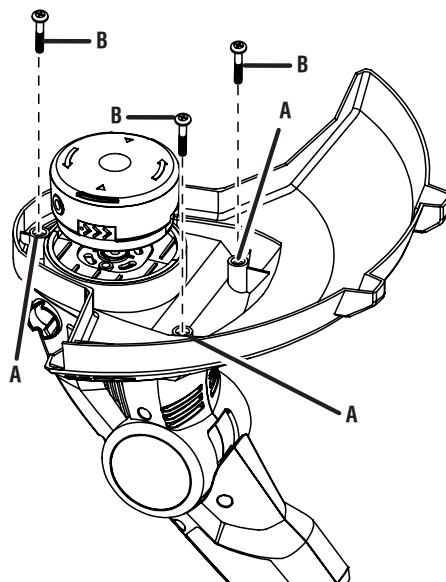
- A - Switch trigger (gâchette, gatillo del interruptor)
- B - GripZone™ overmold (surmoulage GripZone™, sobremoldeado GripZone™)
- C - Lock-out button (bouton de verrouillage, botón de seguro de seguro)
- D - Adjustable front handle (poignée avant réglable, mango delantero ajustable)
- E - Rotating rear handle (poignée arrière rotative, mango delantero ajustable)
- F - Telescoping boom (flèche télescopique, brazo telescópico)
- G - 3-Position pivoting head (tête pivotante à trois positions, cabezal pivotante)
- H - Edger guide (guidage du taille-bordure, guía para recortar bordes)
- I - Grass deflector (déflecteur d'herbe, deflector de hierba)

Fig. 2



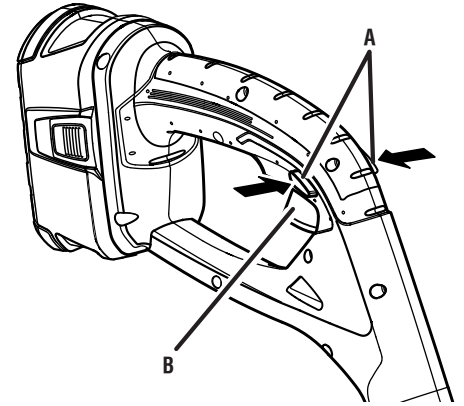
- A - Grass deflector (déflecteur d'herbe, deflector de hierba)
- B - Slide over head and turn counterclockwise (faire glisser sur la tête et tourner dans le sens anti-horaire, deslizarlo sobre el cabezal y girarlo en sentido antihorario)
- C - Line cut-off blade (lame de sectionnement de ligne, cuchilla de corte del hilo)

Fig. 3



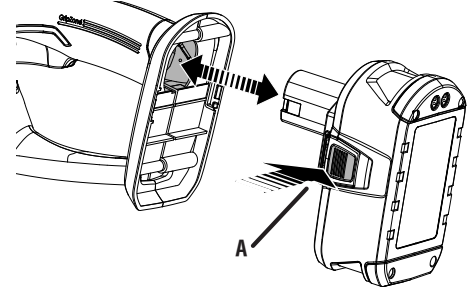
- A - Screw holes (orifices de las vis, agujeros del tornillo)
- B - Screws (vis, tornillos)

Fig. 4



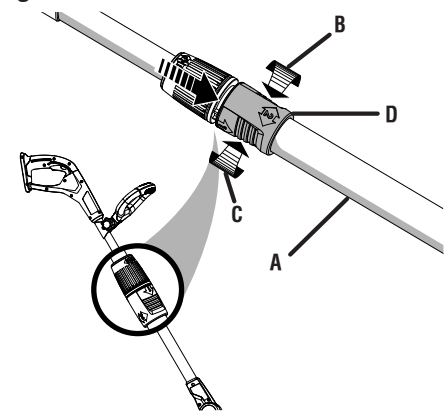
- A - Lock-out button (bouton de verrouillage, botón de seguro de seguro)
- B - Switch trigger (gâchette, gatillo del interruptor)

Fig. 5



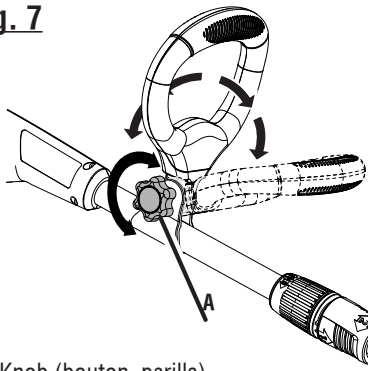
- A - Latches (loquets, pestillos)

Fig. 6



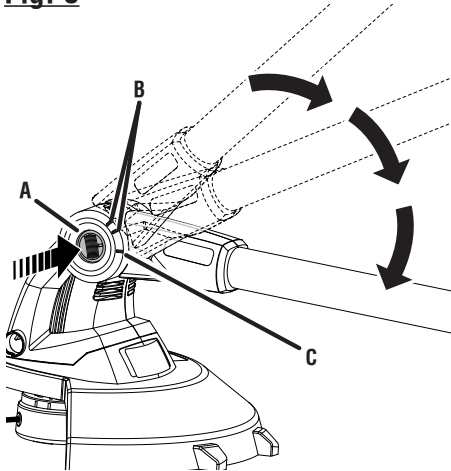
- A - Telescoping boom (flèche télescopique, brazo telescópico)
- B - Loosen (desserrer, aflojar)
- C - Tighten (aflojar, asegurar)
- D - Telescoping boom coupler (coupleur du flèche télescopique, acoplador del brazo telescópico)

Fig. 7



A - Knob (bouton, perilla)

Fig. 8



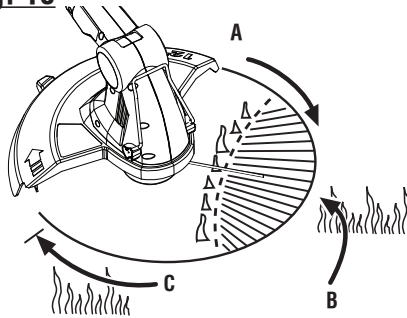
A - Pivot button (bouton de pivot, botón del pivote)
B - Notches 1 and 2: trimming and edging (enches 1 et 2 : taille et coupe, muescas 1 y 2: rocartar y cortar bordes)
C - Notch 3: storage position only (enchoche 3 : position de rangement seulement, muesca 3: posición solamente)

Fig. 9

PROPER TRIMMER OPERATING POSITION
POSITION D'UTILISATION CORRECTE POUR TAILLE-HAIES
POSICIÓN CORRECTA PARA EL MANEJO DE LA CORTADORA

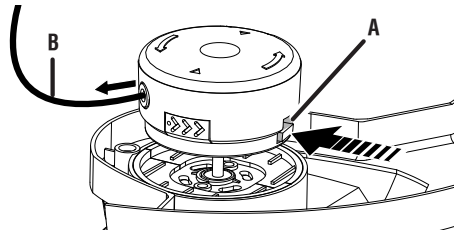


Fig. 10



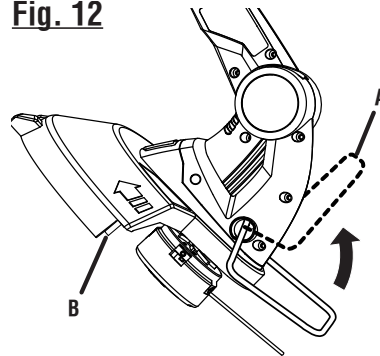
A - Direction of rotation (sens de rotation, sentido de la rotación)
B - Best cutting area (d'efficacité, área de corte óptima)
C - Dangerous cutting area (zone de coup dangereuse, área de corte peligrosa)

Fig. 11



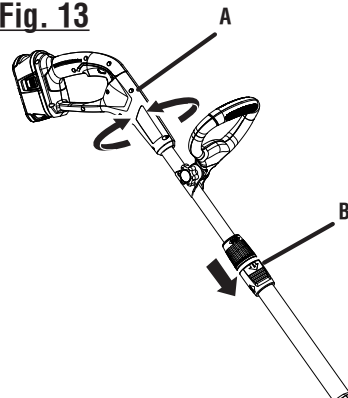
A - Black button (bouton noir, botón negro)
B - String (fils, hilo)

Fig. 12



A - Edger guide (guidage de bordure, guía para el recorte de bordes)
B - Line cut-off blade (lame coupe-ligne, cuchilla de corte)

Fig. 13



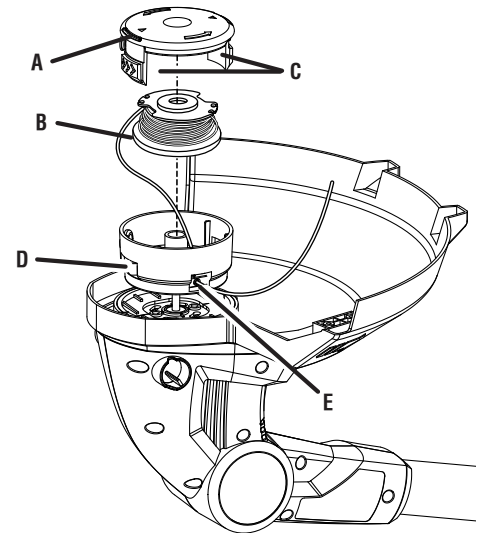
A - Rotating rear handle (poignée arrière rotative, mango delantero ajustable)
B - Edging coupler (coupleur du taille-bordure, acoplador para cortar bordes)

Fig. 14

PROPER EDGING OPERATING POSITION
POSITION D'UTILISATION CORRECTE POUR COUPE-BORDURES
POSICIÓN CORRECTA PARA EL MANEJO DE LA CORTAR BORDES



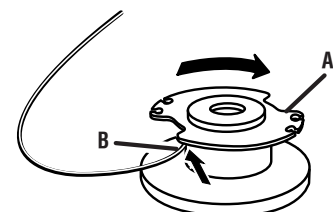
Fig. 15



A - Spool retainer (retenue de bobine, retén del carrete)
B - Spool (bobine, carrete)
C - Tabs (languettes, pestañas)
D - Slots (fentes, ranuras)
E - Eyelet (trou, agujero)

Fig. 16

WIND CLOCKWISE
ENROULER DANS LE SENS HORAIRE
ENROLLE HACIA LA DERECHA



A - Spool (bobine, carrete)
B - Hole (trou, agujero)

TABLE OF CONTENTS

TABLE DES MATIÈRES / ÍNDICE DE CONTENIDO

■ Introduction	2
Introduction / Introducción	
■ Important Safety Instructions	3-4
Instructions importantes concernant la securite / Instrucciones de seguridad importantes	
■ Symbols.....	5
Symboles / Símbolos	
■ Features.....	6
Caractéristiques / Características	
■ Assembly	6-7
Assemblage / Armado	
■ Operation.....	7-8
Utilisation / Funcionamiento	
■ Maintenance	9
Entretien / Mantenimiento	
■ Troubleshooting	10
Dépannage / Corrección de problemas	
■ Warranty	11
Garantie / Garantía	
■ Parts Ordering and Service	Back Page
Commande de pièces et réparation / Pedidos de piezas y servicio	Page arrière / Pág. posterior

INTRODUCTION

INTRODUCTION / INTRODUCCIÓN

This product has many features for making its use more pleasant and enjoyable. Safety, performance, and dependability have been given top priority in the design of this product making it easy to maintain and operate.

* * *

Ce produit offre de nombreuses fonctions destinées à rendre son utilisation plus plaisante et satisfaisante. Lors de la conception de ce produit, l'accent a été mis sur la sécurité, les performances et la fiabilité, afin d'en faire un outil facile à utiliser et à entretenir.

* * *

Este producto ofrece numerosas características para hacer más agradable y placentero su uso. En el diseño de este producto se ha conferido prioridad a la seguridad, el desempeño y la fiabilidad, por lo cual se facilita su manejo y mantenimiento.

IMPORTANT SAFETY INSTRUCTIONS

WARNING!

When using electric gardening appliances, basic safety precautions should always be followed to reduce the risk of fire, electric shock and personal injury.

READ ALL INSTRUCTIONS




- For safe operation, read and understand all instructions before using this product. Follow all safety instructions. Failure to follow all safety instructions listed below, can result in serious personal injury.
- Do not allow children or untrained individuals to use this unit.
- Check the work area before each use. Remove all objects such as rocks, broken glass, nails, wire, or string which can be thrown or become entangled in the machine.
- Always wear eye protection with side shields marked to comply with ANSI Z87.1. Following this rule will reduce the risk of serious personal injury.
- Use Safety Glasses – Always wear safety glasses with side shields. Everyday glasses have only impact resistant lenses. They are NOT safety glasses. Following this rule will reduce the risk of eye injury.
- Protect your lungs. Wear a face or dust mask if the operation is dusty. Following this rule will reduce the risk of serious personal injury.
- Dress Properly – Use of rubber gloves and substantial footwear is recommended when working outdoors. Wear heavy, long pants, long sleeves, boots, and gloves. Do not wear loose fitting clothing, short pants, sandals, or go barefoot. Do not wear jewelry of any kind.
- Secure long hair above shoulder level to prevent entanglement in moving parts.
- Keep children away - Keep all bystanders, children, and pets at least 50 ft. away.
- Stay alert - Do not operate this unit when you are tired, ill, or under the influence of alcohol, drugs, or medication.
- Do not operate in poor lighting.
- Keep all parts of your body away from any moving part.
- Do not operate power tools in explosive atmospheres, such as in the presence of flammable liquids, gases, or dust. Power tools create sparks which may ignite the dust or fumes.
- Avoid body contact with grounded surfaces such as pipes, radiators, ranges, and refrigerators. There is an increased risk of electric shock if your body is grounded.
- Avoid Dangerous Environments - Don't expose appliance or string trimmer to rain or wet conditions. Water entering an appliance or string trimmer will increase the risk of electric shock.
- Use Right Appliance - Do not force tool. Use the correct tool for your application. The correct tool will do the job better and safer at the rate for which it is designed.
- Don't Force Appliance – It will do the job better and with less likelihood of a risk of injury at the rate for which it was designed.
- Do not operate the equipment while barefoot or when wearing sandals or similar lightweight footwear. Wear protective footwear that will protect your feet and improve your footing on slippery surfaces.
- Do not overreach. Keep firm footing and balance. Overreaching can result in loss of balance.
- Avoid accidental starting. Be sure switch trigger is in the locked or off position before inserting battery pack. Carrying tools with your finger on the switch trigger or inserting the battery pack into a tool with the switch on invites accidents.
- Do not use tool if switch trigger does not turn it on or off. Any tool that cannot be controlled with the switch trigger is dangerous and must be repaired.
- Disconnect battery pack from the appliance before storing, servicing, or changing accessories such as cutting line. Such preventive safety measures reduce the risk of starting the tool accidentally.
- Use only identical manufacturer's replacement parts and accessories. Use of any other parts may create a hazard or cause product damage.
- Maintain appliance with care - Replace string head if cracked, chipped, or damaged in any way. Be sure the string head is properly installed and securely fastened. Failure to do so can cause serious injury. Keep handles dry, clean and free from oil and grease.
- Check for damaged parts. Before further use of the tool, any part that is damaged should be carefully checked to determine that it will operate properly and perform its intended function. Check for alignment of moving parts, binding of moving parts, breakage of parts, mounting, and any other conditions that may affect its operation. A guard or other part that is damaged should be properly repaired or replaced by an authorized service dealer.

IMPORTANT SAFETY INSTRUCTIONS










- Make sure all guards, straps, deflectors and handles are properly and securely attached.
- Use only the manufacturer's replacement string in the cutting head. Do not use any other cutting attachment, for example, metal wire, rope, or the like. To install any other brand of cutting head to this string trimmer can result in serious personal injury.
- Never operate unit without the grass deflector in place and in good condition.
- Maintain a firm grip on both handles while trimming. Keep string head below waist level. Never cut with the string head located over 30 in. or more above the ground.
- Store idle appliances indoors - When not in use, string trimmer should be stored indoors in a dry, locked place out of the reach of children.
- Never use blades, flailing devices, wire or rope. Unit is designed for line trimmer use only. Use of any other accessories or attachments will increase the risk of injury.
- Inspect area to be cut. Remove objects (rocks, broken glass, nails, wire, string, etc.) which can be thrown or become entangled in cutting head.
- Keep the air vents clean and free of debris to avoid overheating the motor. Clean after each use.
- Stop the unit and disconnect the power source when not in use. Carry the unit with the motor stopped.
- Store out of the reach of children.
- Do not hang unit so that the switch trigger is depressed.
- Battery tools do not have to be plugged into an electrical outlet; therefore, they are always in operating condition. Be aware of possible hazards when not using your battery tool or when changing accessories. Following this rule will reduce the risk of electric shock, fire, or serious personal injury.
- Do not charge battery tool in rain, or damp or wet location. Following this rule will reduce the risk of electric shock.
- Do not use battery-operated appliance in rain.
- Remove or disconnect battery before servicing, cleaning or removing material from the gardening appliance.
- Use battery only with charger listed. For use with 18V nickel-cadmium and lithium-ion battery packs. See Tool/Appliance/Battery Pack/Charger Correlation Supplement 987000-432.
- Do not dispose of the batteries in a fire. The cell may explode. Check with local codes for possible special disposal instructions.
- Do not open or mutilate the batteries. Released electrolyte is corrosive and may cause damage to the eyes or skin. It may be toxic if swallowed.
- Do not place battery tools or their batteries near fire or heat. This will reduce the risk of explosion and possibly injury.
- Batteries can explode in the presence of a source of ignition, such as a pilot light. To reduce the risk of serious personal injury, never use any cordless product in the presence of open flame. An exploded battery can propel debris and chemicals. If exposed, flush with water immediately.
- Do not crush, drop or damage battery pack. Do not use a battery pack or charger that has been dropped or received a sharp blow. A damaged battery is subject to explosion. Properly dispose of a dropped or damaged battery immediately.
- Exercise care in handling batteries in order not to short the battery with conducting materials such as rings, bracelets, and keys. The battery or conductor may overheat and cause burns.
- For best results, your battery tool should be charged in a location where the temperature is more than 50°F but less than 100°F. To reduce the risk of serious personal injury, do not store outside or in vehicles.
- Under extreme usage or temperature conditions, battery leakage may occur. If liquid comes in contact with your skin, wash immediately with soap and water, then neutralize with lemon juice or vinegar. If liquid gets into your eyes, flush them with clean water for at least 10 minutes, then seek immediate medical attention. Following this rule will reduce the risk of serious personal injury.
- Save these instructions. Refer to them frequently and use them to instruct others who may use this power tool. If you loan someone this power tool, loan them these instructions also.

SYMBOLS

The following signal words and meanings are intended to explain the levels of risk associated with this product.

SYMBOL	SIGNAL	MEANING
	DANGER:	Indicates an imminently hazardous situation, which, if not avoided, will result in death or serious injury.
	WARNING:	Indicates a potentially hazardous situation, which, if not avoided, could result in death or serious injury.
	CAUTION:	Indicates a potentially hazardous situation, which, if not avoided, may result in minor or moderate injury.
	CAUTION:	(Without Safety Alert Symbol) Indicates a situation that may result in property damage.

Some of the following symbols may be used on this product. Please study them and learn their meaning. Proper interpretation of these symbols will allow you to operate the product better and safer.

SYMBOL	NAME	DESIGNATION/EXPLANATION
	Safety Alert	Indicates a potential personal injury hazard.
	Read Operator's Manual	To reduce the risk of injury, user must read and understand operator's manual before using this product.
	Eye Protection	Always wear eye protection with side shields marked to comply with ANSI Z87.1.
	Wet Conditions Alert	Do not expose to rain or use in damp locations.
	Keep Bystanders Away	Keep all bystanders at least 50 ft. away.
	Ricochet	Thrown objects can ricochet and result in personal injury or property damage.
	No Blade	Do not install or use any type of blade on a product displaying this symbol.
	Recycle Symbols	This product uses nickel-cadmium (Ni-Cd) and lithium-ion (Li-ion) batteries. Local, state, or federal laws may prohibit disposal of batteries in ordinary trash. Consult your local waste authority for information regarding available recycling and/or disposal options.
	Direct Current	Type or a characteristic of current
n_0	No Load Speed	Rotational speed, at no load
.../min	Per Minute	Revolutions, strokes, surface speed, orbits etc., per minute
V	Volts	Voltage
Hz	Hertz	Frequency (cycles per second)
min	Minutes	Time

FEATURES

PRODUCT SPECIFICATIONS

Motor.....	18 V DC
Cutting Swath.....	12 in.
Line Size.....	0.065 in.

Weight (without battery pack).....	4.6 lb.
Replacement Spool Part Number	AC14RSL
Replacement Spool Cap Part Number.....	AC14HC

KNOW YOUR STRING TRIMMER

See Figure 1.

The safe use of this product requires an understanding of the information on the tool and in this operator's manual as well as a knowledge of the project you are attempting. Before use of this product, familiarize yourself with all operating features and safety rules.

ADJUSTABLE FRONT HANDLE

The front handle assembly can be adjusted for ease of operation and to help prevent loss of control.

EDGER GUIDE

The edger guide allows the string trimmer to perform as an edger.

GRASS DEFLECTOR

The trimmer includes a grass deflector that helps protect from flying debris.

GRIPZONE™ OVERMOLD

GripZone™ overmold provides added user comfort.

LOCK-OUT BUTTON

The lock-out button prevents accidental starting.

ROTATING REAR HANDLE

The rotating rear handle can be locked in two different positions for ease of use when edging and trimming.

TELESCOPING BOOM

The string trimmer can be adjusted to different extension points for ease of use.

THREE-POSITION PIVOTING HEAD

The trimmer head can be adjusted with the pivot button.

ASSEMBLY

UNPACKING

This product requires assembly.

- Carefully remove the product and any accessories from the box. Make sure that all items listed in the packing list are included.

WARNING:

Do not use this product if any parts on the Packing List are already assembled to your product when you unpack it. Parts on this list are not assembled to the product by the manufacturer and require customer installation. Use of a product that may have been improperly assembled could result in serious personal injury.

- Inspect the product carefully to make sure no breakage or damage occurred during shipping.
- Do not discard the packing material until you have carefully inspected and satisfactorily operated the product.
- If any parts are damaged or missing, please call 1-800-860-4050 for assistance.

PACKING LIST

- String Trimmer
- Grass Deflector Assembly with Screws
- Front Handle Assembly
- Operator's Manual

WARNING:

If any parts are damaged or missing do not operate this product until the parts are replaced. Use of this product with damaged or missing parts could result in serious personal injury.

WARNING:

Do not attempt to modify this product or create accessories not recommended for use with this product. Any such alteration or modification is misuse and could result in a hazardous condition leading to possible serious personal injury.

ASSEMBLY

WARNING:

To prevent accidental starting that could cause serious personal injury, always remove the battery pack from the product when assembling parts.

ATTACHING GRASS DEFLECTOR

See Figure 2 - 3.

WARNING:

The line cut-off blade on the grass deflector is sharp. Avoid contact with the blade. Failure to avoid contact can result in serious personal injury.

- Remove supplied screws with a phillips screwdriver from the trimmer head.
- Fit the grass deflector into the slots on trimmer head.
- Turn counterclockwise to lock grass deflector into place.
- Line up the screw holes in the grass deflector with the holes in the trimmer head.
- Install supplied screws and tighten by turning clockwise with a phillips screwdriver.

OPERATION

WARNING:

Do not allow familiarity with products to make you careless. Remember that a careless fraction of a second is sufficient to inflict serious injury.

WARNING:

Always wear eye protection with side shields marked to comply with ANSI Z87.1. Failure to do so could result in objects being thrown into your eyes resulting in possible serious injury.

WARNING:

Never use blades, flailing devices, wire, or rope on this product. Do not use any attachments or accessories not recommended by the manufacturer of this product. The use of attachments or accessories not recommended can result in serious personal injury.

This product will accept Ryobi One+ 18 V lithium-ion battery packs and Ryobi One+ 18 V nickel-cadmium battery packs.

For complete charging instructions, refer to the Operator's Manuals for your Ryobi One+ battery pack and charger models.

NOTE: To avoid serious personal injury, always remove the battery pack and keep hands clear of the lock-out button when carrying or transporting the tool.

STARTING/STOPPING THE STRING TRIMMER

See Figure 4.

- To start the string trimmer, push the lock-out button to either the right or left side and pull the switch trigger.
- To stop the string trimmer, release the switch trigger.

TO INSTALL BATTERY PACK

See Figure 5.

- Insert the battery pack into the product as shown.
- Make sure the latches on each side of the battery pack snap into place and the battery pack is secured before beginning operation.

TO REMOVE BATTERY PACK

See Figure 5.

- Depress the latches on each side of the battery pack.
- Remove the battery pack.

TELESCOPING BOOM

See Figure 6.

The boom can be extended or shortened for ease of use.

- Remove the battery pack.
- Loosen the telescoping boom coupler by turning it counterclockwise. Slide the boom to the desired position.
- Tighten the coupler by turning clockwise. Make sure the boom is securely tightened before reinstalling the battery pack.

ADJUSTABLE FRONT HANDLE

See Figure 7.

The angle of the front handle can be adjusted 180°.

- Remove the battery pack.
- Set the trimmer on a flat surface and turn the knob counterclockwise to loosen the handle.

OPERATION

- For trimming, adjust the handle upward.
- For edging, adjust the handle downward.
- Turn the knob clockwise until the handle is securely tightened before reinstalling the battery pack.

THREE-POSITION PIVOTING HEAD

See Figure 8.

The trimmer head can be adjusted to three different positions.

- Remove the battery pack.
- Depress the pivot button and move the trimmer head up or down to one of the three positions indicated by the notches.

NOTE: Adjust the trimmer head to the first and second notches for trimming and edging. Adjust to the third notch for storage only.

- Make sure the trimmer head is securely locked into place before reinstalling the battery pack.

OPERATING THE TRIMMER

See Figure 9.

Follow these tips when using the string trimmer:

- Hold the trimmer with your right hand on the rear handle and your left hand on the front handle.
- Keep a firm grip with both hands while in operation.
- Trimmer should be held at a comfortable position with the rear handle about hip height.
- Cut tall grass from the top down. This will prevent grass from wrapping around the boom housing and string head which may cause damage from overheating.

If grass becomes wrapped around the string head:

- Remove the battery pack from the trimmer.
- Remove the grass.



WARNING:

Always hold the string trimmer away from the body keeping clearance between the body and the string trimmer. Any contact with the string trimmer cutting head while operating can result in serious personal injury.

CUTTING TIPS

See Figure 10.

- Keep the trimmer tilted toward the area being cut; this is the best cutting area.
- The string trimmer cuts when passing the unit from right to left. This will avoid throwing debris at the operator. Avoid cutting in the dangerous area shown in figure 10.
- Use the tip of the string to do the cutting; do not force string head into uncut grass.

- Wire and picket fences cause extra string wear, even breakage. Stone and brick walls, curbs, and wood may wear string rapidly.
- Avoid trees and shrubs. Tree bark, wood moldings, siding, and fence posts can easily be damaged by the string.

ADVANCING STRING

NOTE: The trimmer is equipped with an auto-feed head. Bumping the head to try to advance the line will damage the trimmer and void the warranty.

- With the trimmer running, release the switch trigger.
- Wait two seconds, and press the switch trigger.

NOTE: The string will extend approximately 1/4 in. with each stop and start of the switch trigger until the string reaches the length of the grass deflector cut-off blade.

- Resume trimming.

ADVANCING THE STRING MANUALLY

See Figure 11.

- Remove the battery pack.
- Push the black button located on the string head while pulling on string to manually advance the string.

LINE CUT-OFF BLADE

See Figure 12.

This trimmer is equipped with a line cut-off blade on the grass deflector. For best cutting, advance line until it is trimmed to length by the line cut-off blade. Advance line whenever you hear the engine running faster than normal, or when trimming efficiency diminishes. This will maintain best performance and keep line long enough to advance properly.

ROTATING REAR HANDLE

See Figure 13.

The rotating rear handle is used in combination with the edger guide.

- Remove the battery pack.
- Push down on the edging coupler and turn handle end clockwise until the edging coupler locks into place.
- Release the edging coupler.

EDGING

See Figures 12 - 14.

- Remove the battery pack.

Rotate the rear handle when using the edger guide for edging sidewalks and walkways. To use the edger guide, flip down from its stored position.

Always hold the string trimmer away from the body keeping clearance between the body and the string trimmer. Any contact with the string trimmer cutting head while operating can result in serious personal injury.

MAINTENANCE

WARNING:

When servicing, use only identical replacement parts. Use of any other parts may create a hazard or cause product damage.

WARNING:

Always wear eye protection with side shields marked to comply with ANSI Z87.1. Failure to do so could result in objects being thrown into your eyes resulting in possible serious injury.

WARNING:

To avoid serious personal injury, always remove the battery pack from the tool when cleaning or performing any maintenance.

GENERAL MAINTENANCE

Before each use, inspect the entire product for damaged, missing, or loose parts such as screws, nuts, bolts, caps, etc. Tighten securely all fasteners and caps and do not operate this product until all missing or damaged parts are replaced. Please call 1-800-860-4050 or contact an authorized service center for assistance.

Avoid using solvents when cleaning plastic parts. Most plastics are susceptible to damage from various types of commercial solvents and may be damaged by their use. Use clean cloths to remove dirt, dust, oil, grease, etc.

WARNING:

Do not at any time let brake fluids, gasoline, petroleum-based products, penetrating oils, etc., come in contact with plastic parts. Chemicals can damage, weaken or destroy plastic which may result in serious personal injury.

Only the parts shown on the parts list are intended to be repaired or replaced by the customer. All other parts should be replaced at an Authorized Service Center.

BATTERY PACK REMOVAL AND PREPARATION FOR RECYCLING

WARNING:

Upon removal, cover the battery pack's terminals with heavy-duty adhesive tape. Do not attempt to destroy or disassemble battery pack or remove any of its components. Lithium-ion and nickel-cadmium batteries must be recycled or disposed of properly. Also, never touch both terminals with metal objects and/or body parts as short circuit may result. Keep away from children. Failure to comply with these warnings could result in fire and/or serious injury.

SPOOL REPLACEMENT

See Figure 15.

Use only round type .065 in. diameter monofilament string. Use original manufacturer's replacement string for best performance.

- Remove the battery pack.
- Push in tabs on side of spool retainer.
- Pull spool retainer up to remove.
- Remove the old spool.
- To install the new spool, make sure the string is captured in the slot on the new spool. Make sure the end of the string is extended approximately 6 in. beyond the slot.
- Install the new spool so that the string and slot align with the eyelet in the string head. Thread the string into the eyelet.
- Pull the string extending from the string head so the string releases from the slot in the spool.
- Reinstall the spool retainer by depressing tabs into slots and pushing down until spool retainer clicks into place.

STRING REPLACEMENT

See Figures 15 - 16.

- Remove the battery pack.
- Remove the spool from the string head.
NOTE: Remove any old string remaining on the spool.
- Cut a piece of string approximately 9 ft. long. Use only .065 in. diameter monofilament string.
- Insert the string into the anchor hole in the upper part of the spool. Wind the string around the upper part of the spool clockwise, as shown by the arrows on the spool. Place string in the slot on upper spool flange, leaving about 6 in. extended beyond the slot. Do not overfill. After winding the string, there should be at least 1/4 in. between the wound string and the outside edge of the spool.
- Replace the plastic retainer, spool, and the spool retainer. Refer to **Spool Replacement** earlier in this manual.

STORING THE TRIMMER

- Remove the battery pack from the string trimmer before storing.
- Clean all foreign material from the trimmer.
- Store it in a place that is inaccessible to children.
- Keep away from corrosive agents such as garden chemicals and de-icing salts.

Replacement Spool Part NumberAC14RSL

Replacement Spool Cap Part Number..... AC14HC

TROUBLESHOOTING

PROBLEM	POSSIBLE CAUSE	SOLUTION
String will not advance when using the auto-feed head:	String is welded to itself.	Lubricate with silicone spray.
	Not enough string on spool.	Install more string. Refer to String Replacement earlier in this manual.
	String is worn too short.	Pull string while pressing button.
	String is tangled on spool.	Remove string from spool and rewind. Refer to String Replacement earlier in this manual.
Grass wraps around boom housing and string head	Cutting tall grass at ground level.	Cut tall grass from the top down to prevent wrapping.
Motor fails to start when switch trigger is depressed.	Battery is not secure.	To secure the battery pack, make sure the latches on each side of the battery pack snap into place.
	Battery is not charged.	Charge the battery pack according to the instructions included with your model.



CALL US FIRST

For any questions about operating or maintaining your product, call the Ryobi® Help Line!

Your product has been fully tested prior to shipment to ensure your complete satisfaction.

WARRANTY

LIMITED WARRANTY STATEMENT

Techtronic Industries North America, Inc., warrants to the original retail purchaser that this RYOBI® brand outdoor product is free from defect in material and workmanship and agrees to repair or replace, at Techtronic Industries North America, Inc.'s, discretion, any defective product free of charge within these time periods from the date of purchase.

- Three years if the product is used for personal, family or household use;
- 90 days, if used for any other purpose, such as commercial or rental.

This warranty extends to the original retail purchaser only and commences on the date of the original retail purchase.

Any part of this product found in the reasonable judgment of Techtronic Industries North America, Inc. to be defective in material or workmanship will be repaired or replaced without charge for parts and labor by an authorized service center for RYOBI® brand outdoor products (Authorized Ryobi Service Center).

The product, including any defective part, must be returned to an authorized Ryobi service center within the warranty period. The expense of delivering the product to the service center for warranty work and the expense of returning it back to the owner after repair or replacement will be paid by the owner. Techtronic Industries North America, Inc.'s, responsibility in respect to claims is limited to making the required repairs or replacements and no claim of breach of warranty shall be cause for cancellation or rescission of the contract of sale of any RYOBI® brand outdoor product. Proof of purchase will be required by the dealer to substantiate any warranty claim. All warranty work must be performed by an authorized service dealer.

This warranty is limited to ninety (90) days from the date of original retail purchase for any RYOBI® brand outdoor product that is used for rental or commercial purposes, or any other income-producing purpose.

This warranty does not cover any product that has been subject to misuse, neglect, negligence, or accident, or that has been operated in any way contrary to the operating instructions as specified in this operator's manual. This warranty does not apply to any damage to the product that is the result of improper maintenance or to any product that has been altered or modified. The warranty does not extend to repairs made necessary by normal wear or by the use of parts or accessories which are either incompatible with the RYOBI® brand outdoor product or adversely affect its operation, performance, or durability. In addition, this warranty does not cover:

- A. Tune-ups – Spark Plugs, Carburetor, Carburetor Adjustments, Ignition, Filters
- B. Wear items – Bump Knobs, Outer Spools, Cutting Lines, Inner Reels, Starter Pulleys, Starter Ropes, Drive Belts, Tines, Felt Washers, Hitch Pins, Mulching Blades, Blower Fans, Blower and Vacuum Tubes, Vacuum Bag and Straps, Guide Bars, Saw Chains

Techtronic Industries North America, Inc., reserves the right to change or improve the design of any RYOBI® brand outdoor product without assuming any obligation to modify any product previously manufactured.

ALL IMPLIED WARRANTIES ARE LIMITED IN DURATION TO THE STATED WARRANTY PERIOD. ACCORDINGLY, ANY SUCH IMPLIED WARRANTIES INCLUDING MERCHANTABILITY, FITNESS FOR A PARTICULAR PURPOSE, OR OTHERWISE, ARE DISCLAIMED IN THEIR ENTIRETY AFTER THE EXPIRATION OF THE APPROPRIATE THREE-YEAR, ONE-YEAR, OR NINETY-DAY WARRANTY PERIOD. TECHTRONIC INDUSTRIES NORTH AMERICA, INC.'S, OBLIGATION UNDER THIS WARRANTY IS STRICTLY AND EXCLUSIVELY LIMITED TO THE REPAIR OR REPLACEMENT OF DEFECTIVE PARTS AND TECHTRONIC INDUSTRIES NORTH AMERICA, INC., DOES NOT ASSUME OR AUTHORIZE ANYONE TO ASSUME FOR THEM ANY OTHER OBLIGATION. SOME STATES DO NOT ALLOW LIMITATIONS ON HOW LONG AN IMPLIED WARRANTY LASTS, SO THE ABOVE LIMITATION MAY NOT APPLY TO YOU. TECHTRONIC INDUSTRIES NORTH AMERICA, INC., ASSUMES NO RESPONSIBILITY FOR INCIDENTAL, CONSEQUENTIAL, OR OTHER DAMAGES INCLUDING, BUT NOT LIMITED TO, EXPENSE OF RETURNING THE PRODUCT TO AN AUTHORIZED RYOBI SERVICE CENTER AND EXPENSE OF DELIVERING IT BACK TO THE OWNER, MECHANIC'S TRAVEL TIME, TELEPHONE OR TELEGRAM CHARGES, RENTAL OF A LIKE PRODUCT DURING THE TIME WARRANTY SERVICE IS BEING PERFORMED, TRAVEL, LOSS OR DAMAGE TO PERSONAL PROPERTY, LOSS OF REVENUE, LOSS OF USE OF THE PRODUCT, LOSS OF TIME, OR INCONVENIENCE. SOME STATES DO NOT ALLOW THE EXCLUSION OR LIMITATION OF INCIDENTAL OR CONSEQUENTIAL DAMAGES, SO THE ABOVE LIMITATION OR EXCLUSION MAY NOT APPLY TO YOU.

This warranty gives you specific legal rights, and you may also have other rights which vary from state to state.

This warranty applies to all RYOBI® brand outdoor products manufactured by or for Techtronic Industries North America, Inc., and sold in the United States and Canada.

To locate your nearest Authorized Ryobi Service Center, dial 1-800-860-4050.

INSTRUCTIONS IMPORTANTES CONCERNANT LA SÉCURITÉ



AVERTISSEMENT :

Lors de l'utilisation d'outils de jardinage, toujours suivre les consignes de sécurité de base pour éviter les risques d'incendie, d'électrocution et de blessures.

LIRE TOUTES LES INSTRUCTIONS




- Pour travailler en toute sécurité, lire et veiller à bien comprendre toutes les instructions avant d'utiliser ce produit. Respecter toutes les instructions de sécurité. Le non respect des instructions de sécurité ci-dessous peut entraîner des blessures graves.
- Ne pas laisser des enfants ou personnes n'ayant pas reçu une formation adéquate utiliser cet produit.
- Déblayer la zone de travail avant chaque utilisation. La débarrasser de tous les objets tels que cailloux, verre brisé, clous, fils métalliques, cordes, etc. risquant d'être projetés ou de se prendre dans la ligne de coupe ou la lame.
- Toujours porter une protection oculaire certifiée conforme à la norme ANSI Z87.1 lors de l'utilisation de ce produit.
- Porter des lunettes de sécurité. Use Toujours porter des lunettes de sécurité avec écrans latéraux. Les lunettes de vue ordinaires sont munies seulement de verres résistants aux impacts. Ce ne sont PAS des lunettes de sécurité. Le respect de cette règle réduira les risques de lésions oculaires.
- Protection respiratoire. Porter un masque facial ou un masque antipoussière si le travail produit de la poussière. Le respect de cette consigne réduira les risques de blessures graves.
- Porter des vêtements appropriés – On recommande d'utiliser des gants de caoutchouc et des chaussures solides pour le travail à l'extérieur. Porter des pantalons longs, manches longue, des chaussures et des gants épais. Ne pas porter de vêtements amples, bijoux, shorts, sandales et ne pas travailler pieds nus. Ne porter aucun bijou.
- Attacher les cheveux longs pour les maintenir au-dessus des épaules, afin qu'ils ne se prennent pas dans les pièces en mouvement.
- Tenir les enfants éloignés - Ranger les appareils qui ne sont pas utilisés - Garder les badauds, enfants et animaux à une distance de 15 m (50 pi) minimum.
- Rester alerte - Ne pas utiliser ce taille-bordures en état de fatigue, si l'on est souffrant ou sous l'influence de l'alcool, de drogues ou de médicaments.
- Ne pas travailler sous un éclairage insuffisant.
- Garder toutes les parties du corps à l'écart des pièces en mouvement.
- Ne pas utiliser d'outils électriques dans des atmosphères explosives, par exemple en présence de liquides, gaz ou poussières inflammables. Les outils électriques produisent des étincelles risquant d'enflammer les poussières ou vapeurs.
- Éviter tout contact du corps avec des surfaces mises à la terre, telles que tuyaux, radiateurs, cuisinières et réfrigérateurs. Le risque de choc électrique est accru lorsque le corps est mis à la terre.
- Éviter les environnements dangereux - Ne pas exposer le appareil ou outil à la pluie ou l'humidité. La pénétration d'eau dans ces outils accroît le risque de choc électrique.
- Utiliser les appareils appropriés - Ne pas forcer l'produit. Utiliser un produit approprié pour le travail. Un produit approprié exécutera le travail mieux et de façon moins dangereuse s'il fonctionne dans les limites prévues.
- Ne pas forcer appareil – Un produit approprié exécutera le travail mieux et de façon moins dangereuse s'il fonctionne dans les limites prévues.
- Ne pas faire fonctionner l'équipement pied-nu ou en portant des sandales ou des chaussures légères similaires. Porter des chaussures de protection qui protègent vos pieds et améliorent votre équilibre sur des surfaces glissantes.
- Ne pas exagérer en se courbant ou en s'étirant. Se tenir bien campé et en équilibre. Cette façon de travailler pourrait vous faire perdre l'équilibre.
- Éviter les démarrages accidentels. S'assurer que la gâchette est verrouillée en position d'arrêt avant d'insérer le bloc de piles. Le transport d'outils avec le doigt sur le commutateur ou l'insertion du bloc de piles avec le commutateur en position de marche est une invite aux accidents.
- Ne pas utiliser l'produit si le commutateur ne permet pas de le mettre en marche et de l'arrêter. Tout produit qui ne peut pas être contrôlé par son commutateur est dangereux et doit être réparé.
- Débrancher l'appareil de la source d'alimentation avant d'entreposer, d'effectuer l'entretien ou de changer les accessoires comme le fil de coupe.
- Utiliser exclusivement des pièces de rechange et accessoire d'origine. L'usage de toute autre pièce pourrait créer une situation dangereuse ou endommager l'produit.
- Assurer un entretien soigneux de l'appareil - Si la tête de coupe est fendue, brisée ou endommagée de quelque façon que ce soit, la remplacer. S'assurer que la tête de coupe ou la lame est correctement installée et solidement assujettie. S'il ne le sont pas, l'opérateur court des risques de blessures graves. Garder l'outil et sa poignée secs, propres et exempts d'huile ou de graisse.
- Vérifier les pièces endommagées. Quand un protecteur ou une autre pièce a été endommagé(e), vérifier, avant de continuer à utiliser l'outil, si cette pièce pourra encore fonctionner normalement et remplir son rôle. Vérifier l'alignement des pièces mobiles, détecter les pièces mobiles grippées ou les pièces rompues, un assemblage déficient ou toute autre condition pouvant affecter la sécurité d'utilisation. Un protecteur ou une autre pièce endommagé(e) doit être réparé convenablement ou remplacé par un centre d'entretien agréé afin d'éviter des blessures corporelles.

INSTRUCTIONS IMPORTANTES CONCERNANT LA SÉCURITÉ










- S'assurer que tous les dispositifs de protection, déflecteurs d'herbe et poignées sont correctement installés et solidement assujettis.
- Utiliser exclusivement des lignes de coupe d'origine. Ne pas utiliser un autre accessoire de coupe, tel que fil métallique, corde, ou autre. L'utilisation d'une tête de coupe d'autre marque sur cette tondeuse à fouet peut entraîner des blessures graves.
- Ne jamais utiliser l'produit si le protecteur n'est pas en place et en bon état.
- Tenir fermement les deux poignées pendant le travail. Tenir la tête de coupe au-dessous du niveau de la taille. Ne jamais tailler avec la tête de coupe à plus de 762 mm (30 po) du sol.
- Entreposer les outils à l'intérieur - Quand pas dans l'usage, tondeuse à fouet devrait être emmagasiné à la maison dans un sec, fermé à clef la remiser dans un endroit inaccessible aux enfants.
- Ne jamais utiliser de lames ou de dispositifs à fléau, fil et cordes. L'unité est conçue pour être utilisée exclusivement avec un taille bordures à fil. Le fait d'utiliser l'produit avec tout autre accessoire ou dispositif fait augmenter le risque de blessures.
- Examiner la surface à tondre. Retirer tous les objets (roches, verre brisé, clous, câble, corde etc.) qui peuvent être projetés dans les airs ou qui peuvent s'emmêler dans la tête de coupe.
- S'assurer que les événements d'aération sont propres et exempts de débris afin d'éviter que le moteur ne surchauffe. Les nettoyer après chaque utilisation.
- Arrêter l'produit et le débrancher de la source d'alimentation lorsqu'il n'est pas utilisé. Attendre l'arrêt complet du moteur avant de déplacer l'produit.
- Ranger l'produit en s'assurant qu'il est débranché et qu'il est hors de la portée des enfants.
- Ne pas suspendre l'produit d'une façon qui enclencherait la gâchette.
- Les outils fonctionnant sur piles n'ayant pas besoin d'être branchés sur une prise de courant, ils sont toujours en état de fonctionnement. Tenir compte des dangers possibles lorsque l'produit n'est pas en usage et lors du remplacement des piles. Le respect de cette consigne réduira les risques d'incendie, de choc électrique et de blessures graves.
- Ne pas recharger un produit fonctionnant sur piles dans un endroit la pluie ou humide ou mouillé. Le respect de cette règle réduira les risques de choc électrique.
- Ne pas utiliser un appareil alimenté par pile sous la pluie.
- Retirer ou débrancher la pile avant l'entretien ou le nettoyage de l'produit de jardin ou avant d'en retirer des matériaux.
- Pour utiliser avec nickel-cadmium et lithium-ion bloc-piles. Voir "Consignes de sécurité relatives à l'outil, appareil, à la pile et au chargeur supplément" 987000-432.
- Ranger les appareils qui ne sont pas utilisés – lorsque le taille-bordure n'est pas utilisé, le ranger à l'intérieur dans un endroit sec et verrouillé hors de la portée des enfants.
- Ne pas jeter les piles au feu. La cellule peut exploser. Vérifier les codes locaux pour connaître toute instruction spéciale relative à l'élimination des piles.
- Ne pas altérer le bloc de piles. L'électrolyte est un produit corrosif pouvant causer des lésions cutanées ou oculaires. Il peut être toxique en cas d'ingestion.
- Ne pas placer les outils électriques sans fil ou leurs piles à proximité de flammes ou d'une source de chaleur. Ceci réduira les risques d'explosion et de blessures.
- Les piles peuvent exploser en présence d'une source d'allumage, telle qu'une veilleuse. Pour réduire les risques de blessures graves, ne jamais utiliser un appareil sans fil, quel qu'il soit, en présence d'une flamme vive. En explosant, une pile peut projeter des débris et des produits chimiques. En cas d'exposition, rincer immédiatement les parties atteintes avec de l'eau.
- Ne pas écraser, faire tomber ou endommager le bloc de piles. Ne jamais utiliser un bloc de piles ou un chargeur qui est tombé, a été écrasé, a reçu un choc violent ou a été endommagé de quelque façon que ce soit. Une pile endommagée risque d'exploser. Éliminer immédiatement toute pile endommagée, selon une méthode appropriée.
- Manipuler les piles avec soin pour éviter des courts circuits avec des objets conducteurs comme des anneaux, des bracelets et des clés. La pile ou l'objet conducteur peuvent surchauffer et causer des brûlures.
- Pour un résultat optimal, les piles de l'produit doivent être rechargées dans un local où la température est de 10 à 38 °C (50 à 100 °F). Ne pas ranger l'produit à l'extérieur ou dans un véhicule.
- Si l'produit est utilisé de façon intensive ou sous des températures extrêmes, des fuites de pile peuvent se produire. En cas de contact du liquide avec la peau, rincez immédiatement la partie atteinte avec de l'eau savonneuse, puis neutralisez avec du jus de citron ou du vinaigre. En cas d'éclaboussure dans les yeux, rincez-les à l'eau fraîche pendant au moins 10 minutes, puis contactez immédiatement un médecin. Le respect de cette consigne réduira les risques de blessures graves.
- Si le cordon d'alimentation est endommagé, il doit être remplacé uniquement par le fabricant ou par un centre de réparation agréé pour éviter tout risque.
- Conserver ces instructions. Les consulter fréquemment et les utiliser pour instruire les autres utilisateurs éventuels. Si cet produit est prêté, il doit être accompagné de ces instructions.

SYMBOLES

Les termes de mise en garde suivants et leur signification ont pour but d'expliquer le degré de risques associé à l'utilisation de ce produit.

SYMBOLE	SIGNAL	SIGNIFICATION
	DANGER:	Indique une situation extrêmement dangereuse qui, si elle n'est pas évitée, aura pour conséquences des blessures graves ou mortelles.
	AVERTISSEMENT :	Indique une situation potentiellement dangereuse qui, si elle n'est pas évitée, pourrait entraîner des blessures graves ou mortelles.
	ATTENTION :	Indique une situation potentiellement dangereuse qui, si elle n'est pas évitée, pourrait entraîner des blessures légères ou de gravité modérée.
	ATTENTION :	(Sans symbole d'alerte de sécurité) Indique une situation pouvant entraîner des dommages matériels.

Certains des symboles ci-dessous peuvent être utilisés sur produit. Veiller à les étudier et à apprendre leur signification. Une interprétation correcte de ces symboles permettra d'utiliser produit plus efficacement et de réduire les risques.

SYMBOLE	NOM	DÉSIGNATION / EXPLICATION
	Symbole d'alerte de sécurité	Indique un risque de blessure potentiel.
	Lire manuel d'utilisation	Pour réduire les risques de blessures, l'utilisateur doit lire et veiller à bien comprendre le manuel d'utilisation avant d'utiliser ce produit.
	Protection oculaire	Toujours porter une protection oculaire certifiée conforme à la norme ANSI Z87.1.
	Avertissement concernant l'humidité	Ne pas exposer à la pluie ou l'humidité.
	Ne laisser personne s'approcher	Garder les badauds à une distance de 15 m (50 pi) minimum.
	Danger de ricochet	Ne pas utiliser le coupe-bourdures sans le protecteur. Rester éloigné de la tête de coupe rotative.
	Ne pas utiliser de lame	Ne jamais utiliser une lame quelconque sur un outil portant ce symbole.
	Symboles de recyclage	Ce produit utilise les piles de nickel-cadmium (Ni-Cd) ou lithium-ion (Li-ion). Les réglementations locales ou gouvernementales peuvent interdire de jeter les piles dans les ordures ménagères. Consulter les autorités locales compétentes pour les options de recyclage et/ou l'élimination.
	Courant continu	Type ou caractéristique du courant
n_0	Vitesse à vide	Vitesse de rotation à vide
.../min	Par minute	Tours, coups, vitesse périphérique, orbites, etc., par minute
V	Volts	Tension
Hz	Hertz	Fréquence (cycles par seconde)
min	Minutes	Temps

CARACTÉRISTIQUES

FICHE TECHNIQUE

Moteur18 V C.C.
Largeur de coupe 305 mm (12 po)
Diamètre du fil 1,65 mm (0,065 po)

Poids (sans pile)2 kg (4,6 lb)
Numéro de pièce de la bobine de remplacementAC14RSL
Numéro de pièce du couvercle de la bobine de remplacement..... AC14HC

VEILLER À BIEN CONNAÎTRE LA TONDEUSE À FOUET

Voir la figure 1.

L'utilisation sûre de ce produit exige une compréhension des renseignements figurant sur l'produit et contenus dans le manuel d'utilisation, ainsi qu'une bonne connaissance du projet entrepris. Avant d'utiliser ce produit, se familiariser avec toutes ses caractéristiques et règles de sécurité.

POIGNÉE AVANT RÉGLABLE

L'ensemble poignée avant peut être réglé pour faciliter l'utilisation et prévenir les pertes de contrôle.

GUIDAGE DU TAILLE -BORDURE

La bordure à installation facile permet à la tondeuse à fouet d'être utilisé comme un taille-bordure.

TÊTE PIVOTANTE À TROIS POSITIONS

La tête du taille bordures peut être réglée en trois positions différentes.

POIGNÉE AVANT

La tondeuse à fouet est équipée d'une poignée avant pour une utilisation aisée et pour éviter toute perte de contrôle.

DÉFLECTEUR D'HERBE

La tondeuse est équipée d'un déflecteur d'herbe qui protège l'opérateur des débris projetés.

SURMOULAGE GripZone™

Le surmoulage GripZone™ procure un confort d'utilisation plus grand.

BOUTON DE VERROUILLAGE

Le bouton de verrouillage prévient les démarrages accidentels.

POIGNÉE ARRIÈRE ROTATIVE

La poignée arrière rotative peut être verrouillée en deux positions différentes pour faciliter l'utilisation lors de la taille de bordures.

FLÈCHE TÉLESCOPIQUE

La tondeuse à fouet peut être réglée sur différents points d'extension pour faciliter l'utilisation.

ASSEMBLAGE

DÉBALLAGE

Ce produit nécessite un assemblage.

- Avec précaution, sortir l'produit et les accessoires de la boîte. S'assurer que toutes les pièces figurant sur la liste de contrôle sont incluses.



AVERTISSEMENT :

Ce nouveaux produit a été expédié dans une condition partiellement assemblée comme décrit au dessous. Vérifier attentivement la liste de contrôle d'expédition au dessous de garantir tous articles sont inclus dans le packet. La liste de de contrôle d'expédition décrit tous articles détachés qui ne sont pas assemblés au produit comme expédié. Ne pas utiliser le produit si les articles de liste de contrôle d'expédition se sont déjà assemblés à votre produit quand vous pour déballage. Appeler le nombre de service clients au dessous pour l'assistance. Utilisation d'un produit qui pourrait avoir été incorrectement déjà assemblé pourrait avoir peut entraîner des blessures graves.

- Examiner soigneusement l'produit pour s'assurer que rien n'a été brisé ou endommagé en cours de transport.
- Ne pas jeter les matériaux d'emballage avant d'avoir soigneusement examiné l'produit et avoir vérifié qu'il fonctionne correctement.

- Si des pièces manquent ou sont endommagées, appeler le 1-800-860-4050.

LISTE DE CONTRÔLE

Tondeuse à fouet
Déflecteur d'herbe avec vis
Poignée avant
Manuel d'utilisation



AVERTISSEMENT :

Si des pièces manquent ou sont endommagées, ne pas utiliser cet produit avant qu'elles aient été remplacées. Le non-respect de cet avertissement pourrait entraîner des blessures graves.



AVERTISSEMENT :

Ne pas essayer de modifier cet produit ou de créer des accessoires non recommandés pour l'produit. De telles altérations ou modifications sont considérées comme un usage abusif et peuvent créer des conditions dangereuses, risquant d'entraîner des blessures graves.

ASSEMBLAGE

AVERTISSEMENT :

Ne pas brancher sur le secteur avant d'avoir terminé l'assemblage. Le non-respect de cet avertissement peut causer un démarrage accidentel, entraînant des blessures graves.

FIXATION DU DÉFLECTEUR D'HERBE

Voir les figures 2 et 3.

AVERTISSEMENT :

La lame coupe ligne du déflecteur est tranchante. Éviter de la toucher. Le contact avec la lame peut causer des blessures graves.

- Retirer la vis avec un tournevis cruciforme de la tête de la tondeuse.
- Adapter le déflecteur d'herbe dans les fentes de la tête de la tondeuse.
- Tourner dans le sens anti-horaire pour verrouiller le déflecteur d'herbe en place.
- Aligner les trous du déflecteur d'herbe avec le trou central de la tête de la tondeuse.
- Installer la vis fournie et la serrer en tournant dans le sens horaire avec un tournevis cruciforme.

UTILISATION

AVERTISSEMENT :

Ne pas laisser la familiarité avec l'produit faire oublier la prudence. Ne pas oublier qu'une fraction de seconde d'inattention peut entraîner des blessures graves.

AVERTISSEMENT :

Toujours porter des lunettes étanches ou à coques latérales lors de l'utilisation d'outils. Si cette précaution n'est pas prise, des objets peuvent être projetés dans les yeux et causer des lésions graves.

AVERTISSEMENT :

Ne jamais utiliser de lames ou de dispositifs à fléau, fil et cordes sur ce produit. Ne pas utiliser d'outils ou accessoires non recommandés par le fabricant pour cet produit. L'utilisation de pièces et accessoires non recommandés peut entraîner des blessures graves.

Ce produit est compatible avec les piles 18 V au lithium-ion et au nickel cadmium de Ryobi One+.

Pour prendre connaissance de l'ensemble des instructions relatives à la charge, consulter les manuels d'utilisation des blocs-piles One+ de Ryobi et des modèles de chargeur connexes.

NOTE : Pour éviter des blessures graves, toujours retirer le bloc-piles et tenir à distance de mains le bouton de verrouillage en portant l'outil.

MISE EN MARCHÉ ET ARRÊT DE LA TONDEUSE À FOUET

Voir la figure 4.

- Pour mettre la tondeuse à fouet en marche, appuyer la gâchette.
- Pour arrêter la tondeuse à fouet, relâcher la gâchette.

INSTALACIÓN DEL PILE

Voir la figura 5.

- Insérer les piles dans le produit comme il est indiqué.
- S'assurer que ses deux loquets latéraux s'engagent correctement et vérifier que le bloc est solidement assujéti avant d'utiliser produit.

DESMONTAJE DEL PILE

Voir la figura 5.

- Appuyer sur les loquets de chaque côté des piles.
- Retirer le bloc de piles.

FLÈCHE TÉLESCOPIQUE

Voir la figure 6.

La perche peut être déployée ou rétractée pour en faciliter l'utilisation.

- Retirer le bloc de piles.
- Desserrer le coupleur du flèche télescopique en le tournant dans le sens antihoraire. Glisser le perche jusqu'à la position désirée.
- Serrer le coupleur en le tournant dans le sens horaire. S'assurer que le perche est serré solidement avant de réinstaller la pile.

POIGNÉE AVANT RÉGLABLE

Voir la figure 7.

La poignée avant peut être réglée à un angle de 180°.

- Retirer le bloc de piles.
- Déposer le taille-bordures sur une surface plane et tourner le bouton dans le sens antihoraire pour desserrer la poignée.

UTILISATION

- Pour tailler l'herbe, régler la poignée vers le haut.
- Pour couper des bordures, régler la poignée vers le bas.
- Tourner le bouton dans le sens horaire jusqu'à ce que la poignée soit serrée solidement avant de réinstaller la pile.

TÊTE PIVOTANTE À TROIS POSITIONS

Voir la figure 8.

La tête du taille bordures peut être réglée en trois positions différentes.

- Retirer le bloc de piles.
- Appuyer sur le bouton de pivot et déplacer la tête du taille bordures vers le haut ou vers le bas, à l'une des trois positions indiquées par les encoches.
- **NOTE :** Régler la tête du taille bordures à la première ou à la deuxième position pour tailler ou couper. Régler à la troisième encoche seulement pour le rangement.
- S'assurer que la tête du taille bordures est bien verrouillée avant de réinstaller la pile.

UTILISATION DE LA TONDEUSE À FOUET

Voir la figure 9.

Suivre ces conseils lors de l'utilisation de la tondeuse à fouet:

- Tenir la tondeuse à fouet avec la main droite sur la poignée arrière et la main gauche sur la poignée avant.
- Garder une prise ferme sur les deux poignées pendant le fonctionnement.
- Maintenir la tondeuse à fouet dans une position confortable, la poignée arrière à peu près à hauteur de la taille.
- Couper les herbes hautes de haut en bas. Ceci empêchera l'herbe de s'enrouler sur le perche et la tête de coupe, ce qui pourrait causer des dommages dus à une surchauffe.

Si l'herbe s'enroule autour de la tête de coupe :

- Retirer le bloc de piles.
- Éliminer l'herbe.



AVERTISSEMENT :

Toujours tenir la tondeuse à fouet distance de soi en maintenant un périmètre de sécurité entre le corps et la tondeuse à fouet. Tout contact avec la tête de coupe de la tondeuse à fouet en cours d'utilisation peut causer des blessures graves.

CONSEILS

Voir la figure 10.

- Pour une efficacité maximum, garder la tondeuse à fouet inclinée vers la zone de coupe.
- La tondeuse à fouet coupe lors du passage de l'unité de droite à gauche. Ceci évite que les débris soient projetés en direction de l'opérateur. Éviter de couper dans la zone dangereuse illustrée à la figure 10.

- Couper avec l'extrémité du fil ; ne pas forcer la tête de coupe dans l'herbe non coupée.
- Les palissades en métal et en bois accélèrent l'usure du fil et peuvent le casser. Les murs en pierre et brique, trottoirs et pièces de bois peuvent accélérer l'usure du fil.
- Contourner les arbres et buissons. L'écorce des arbres, les moulures en bois, le lambrissage et les piquets de palissades peuvent être endommagés par le fil.

AVANCE DU FIL DE COUPE

NOTE : La tondeuse à fouet est équipé avec une tête d'auto-nourrit. Frapper la tête pour essayer d'avancer la ligne endommagera la garantie plus mince et vide.

- La tondeuse à fouet en marche, faire tourner le moteur à plein régime.
- Attendre deux secondes puis appuyer sur la gâchette.
NOTE : À chaque activation de la gâchette, la ficelle s'allongera de 6,35 mm (1/4 po) jusqu'à ce qu'elle soit de la longueur de la lame coupe-ligne du déflecteur d'herbe.
- Continuer le travail.

AVANCE MANUELLE DU FIL

Voir la figure 11.

- Retirer le bloc de piles.
- Appuyer sur le bouton noir situé sur la tête de coupe tout en tirant sur le fil pour le faire avancer manuellement.

LAME DE SECTIONNEMENT DE LIGNE

Voir la figure 12.

Cette tondeuse est équipée d'une lame coupe-ligne montée sur le protecteur. Pour obtenir une coupe optimale, faire progresser le fil jusqu'à ce qu'il soit coupé à la longueur correcte par la lame coupe-ligne. Le fil doit être avancé chaque fois que le moteur tourne à une vitesse supérieure à la normale ou lorsque la coupe devient moins efficace. Ceci permet de maintenir une efficacité maximum et de maintenir une longueur de fil suffisante pour avancer correctement.

POIGNÉE ARRIÈRE ROTATIVE

Voir la figure 13.

- Retirer le bloc de piles.
- Pousser le coupleur du taille-bordure vers le haut et tourner la poignée dans le sens anti-horaire.
- Relâcher le coupleur du taille-bordure.

TAILLE DES BORDURES

Voir les figures 12 - 14.

- Retirer le bloc de piles.

La poignée rotative peut être utilisée en combinaison avec le guidage du taille-bordure pour tailler la bordure des trottoirs et des allées. Pour utiliser le guidage du taille-bordure, la chiquenaude en bas de lui a emmagasiné la position.

Toujours tenir la tondeuse à fouet distance de soi en maintenant un périmètre de sécurité entre le corps et la tondeuse à fouet. Tout contact avec la tête de coupe de la tondeuse à fouet en cours d'utilisation peut causer des blessures graves.

ENTRETIEN

AVERTISSEMENT :

Utiliser exclusivement des pièces d'origine pour les réparations. L'usage de toute autre pièce pourrait créer une situation dangereuse ou endommager l'produit.

AVERTISSEMENT :

Toujours porter des lunettes de sécurité munies d'écrans latéraux lors de l'utilisation d'produits motorisés ou des opérations de nettoyage de la poussière. Si une opération dégage de la poussière, porter également un masque filtrant.

AVERTISSEMENT :

Pour empêcher un démarrage accidentel pouvant entraîner des blessures graves, toujours retirer le piles de l'produit avant tout nettoyage ou entretien.

ENTRETIEN GÉNÉRAL

Avant chaque utilisation, inspecter au complet le produit afin de s'assurer qu'aucune pièce (vis, écrous, boulons, chapeaux, etc.) n'est endommagée, manquante ou desserrée. Serrer solidement toutes les pièces de fixation et les chapeaux et ne pas utiliser le produit tant que toutes les pièces manquantes ou endommagées n'ont pas été remplacées. Veuillez composer le 1-800-860-4050 ou communiquer avec un centre de réparations agréé pour obtenir de l'aide.

Éviter d'utiliser des solvants pour le nettoyage des pièces en plastique. La plupart des matières plastiques peuvent être endommagées par divers types de solvants du commerce. Utiliser un chiffon propre pour éliminer la saleté, la poussière, l'huile, la graisse, etc.

AVERTISSEMENT :

Ne jamais laisser de liquides tels que le fluide de freins, l'essence, les produits à base de pétrole, les huiles pénétrantes, etc., entrer en contact avec les pièces en plastique. Les produits chimiques peuvent endommager, affaiblir ou détruire le plastique, ce qui peut entraîner des blessures graves.

Seules les pièces figurant sur la liste de contrôle sont conçues pour être réparées ou remplacées par l'utilisateur. Toutes les autres pièces doivent être remplacées dans un centre de réparations agréé.

RETRAIT ET PRÉPARATION DU PILES POUR LE RECYCLAGE

AVERTISSEMENT :

Après avoir retiré le piles, couvrir ses bornes avec un ruban adhésif de qualité industrielle. Ne pas essayer de démonter ou détruire le piles, ni de retirer des composants quels qu'ils soient. Les piles épuisées doivent être recyclées ou éliminées selon une méthode appropriée. Ne jamais toucher les deux bornes avec des objets en métal ou une partie du corps, car cela pourrait créer un court-circuit. Garder hors de la portée des enfants. Le non-respect de ces mises en garde peut résulter en un incendie et/ou des blessures graves.

REMPACEMENT DE LA BOBINE

Voir la figure 15.

Utiliser exclusivement du fil monofilament de 1,65 mm (0,065 po) de diamètre. Pour une efficacité maximum, utiliser exclusivement un fil d'origine.

- Retirer le bloc de piles.
- Enfoncer les languettes sur le côté de la retenue de bobine.
- Tourner la retenue de bobine vers le haut, pour la retirer.
- Retirer la tête de coupe.
- Lors de l'installation d'une bobine neuve, s'assurer que les deux fils sont engagés dans les deux fentes diamétralement opposées de la bobine neuve. Veiller à ce que les deux fils dépassent chaque fente d'environ 152 mm (6 po).
- Installer la nouvelle bobine de sorte que le fil et les fentes soient alignés avec l'oeillet le plus proche de la tête de coupe. Passer les fils dans les œillet de la tête de coupe.
- Tirer sur les fils qui dépassent de la tête de coupe afin de dégager le fil des fentes de la bobine.
- Réinstaller la retenue de bobine en insérant les languettes dans les fentes et en enfonçant jusqu'à ce que la retenue de bobine s'insère en place.

REMPACEMENT DU FIL

Voir les figures 15 et 16.

- Retirer le bloc de piles.
- Retirer la bobine de la tête de coupe.
NOTE : Retirer le fil restant éventuellement sur la bobine.
- Couper un segment de fil d'une longueur d'environ 2,7 m (9 pi). Utiliser seulement du fil monofilament de 1,65 mm (0,065 po) de diamètre.
- Insérer le fil dans le trou d'attache de la partie supérieur de la bobine. Enrouler le fil dans la partie supérieure de la bobine, tel qu'indiqué par les flèches sur la bobine. Placer le fil dans la fente de la collerette supérieure de la bobine, en laissant le fil dépasser d'environ 152 mm (6 po) de la fente. Ne pas remplir à l'excès. Une fois enroulé, il devrait y avoir une longueur d'au moins 6 mm (1/4 po) entre le fil enroulé et la bordure extérieure de la bobine.
- Remettre la retenue en plastique, la bobine et sa retenue en place. Voir **Remplacement de la bobine** plus haut dans ce manuel.

REMISAGE DE LA TONDEUSE À FOUET

- Retirer la pile du taille bordures avant de le ranger.
- Nettoyer soigneusement la tondeuse à fouet.
- La remiser dans un endroit inaccessible aux enfants.
- Le tenir à l'écart de produits corrosifs, tels que les produits chimiques de jardinage et le sel de dégivrage.

Numéro de pièce de la bobine de remplacementAC14RSL
Numéro de pièce du couvercle de la bobine
de remplacementAC14HC

DÉPANNAGE

PROBLÈME	POSSIBLE CAUSE	SOLUTION
Le fil n'avancera pas si une tête à avance automatique est utilisée :	<ol style="list-style-type: none">1. Ligne soudée sur elle-même.2. Pas assez de ligne sur la bobine.3. Ligne trop courte.4. Ligne emmêlée sur la bobine.	<ol style="list-style-type: none">1. Lubrifier avec un produit au silicone.2. Installer une nouvelle ligne. Voir Remplacement du fil, plus haut dans ce manuel.3. Tirez le ligne tout en appuyant sur le bouton.4. Retirer la ligne du de la bobine et la rembobiner. Voir Remplacement de la ligne, plus haut dans ce manuel.
L'herbe s'enroule sur le tube de l'arbre moteur et la tête de coupe :	Coupe de hautes herbes au ras du sol.	Couper les herbes hautes du haut en bas.
Le moteur ne démarre pas.	<p>La pile n'est pas fixée.</p> <p>La pile n'est pas chargée.</p>	<p>Pour la fixer, s'assurer que les loquets de chaque côté de la pile sont enclenchés.</p> <p>Charger la pile conformément aux instructions fournis avec ce modèle.</p>



NOUS APPELER D'ABORD

Pour toute question concernant l'utilisation ou l'entretien utiliser ce produit, appeler le service d'assistance téléphonique Ryobi®!
Le taille-bordures à été entièrement testé avant expédition pour assurer la complète satisfaction de l'utilisateur.

GARANTIE

ÉNONCÉ DE LA GARANTIE LIMITÉE

Techtronic Industries North America, Inc., garantit à l'acheteur original que ce produit RYOBI® est exempt de tous vices de matériaux ou de fabrication et s'engage à réparer ou remplacer gratuitement, à son choix, tout produit s'avérant défectueux au cours des périodes indiquées ci-dessous, à compter de la date d'achat.

- Trois ans sur les produits utilisés par des particuliers ;
- 90 jours sur les produits utilisés à toutes autres fins, telles que les travaux commerciaux et la location.

Cette garantie n'est offerte qu'à l'acheteur original et entre en vigueur à la date de l'achat original.

Toute pièce de ce produit jugée, après évaluation raisonnable par Techtronic Industries North America, Inc., comme présentant des vices de matériaux ou de fabrication, sera réparée ou remplacée, sans facturation pour pièces ou main d'oeuvre par un centre de réparations agréé pour produits d'extérieur de marque RYOBI® (centre de réparations Ryobi agréé).

Le produit, y compris toutes les pièces défectueuses devront être retournés à un centre de réparations Ryobi agréé, avant expiration de la période de garantie. Les frais d'expédition au centre de réparations pour les travaux sous garantie et de retour au propriétaire du produit seront assumés par le propriétaire. En ce qui concerne les réclamations en garantie, la responsabilité Techtronic Industries North America, Inc., se limitera à la réparation ou au remplacement des produits défectueux et aucune revendication de rupture de garantie ne pourra causer l'annulation ou la résiliation du contrat de vente d'un produit d'extérieur RYOBI® quel qu'il soit. Une preuve d'achat sera exigée par le centre de réparation, afin de valider toute réclamation au titre de la garantie. Toutes les réparations sous garantie devront être effectuées par un centre de réparations agréé.

La garantie sur tout produit d'extérieur RYOBI® utilisé pour la location, des travaux commerciaux ou tout autre usage lucratif, sera limitée à quatre-vingt-dix (90) jours, à compter de la date d'achat au détail original.

Cette garantie ne couvre pas les produits ayant fait l'objet d'un usage abusif ou négligent, d'un manque d'entretien, ayant été impliqués dans un accident ou employé de façon contraire aux instructions du manuel d'utilisation. Cette garantie ne couvre ni les dommages aux produits résultant d'un manque d'entretien, ni les produits qui ont été altérés ou modifiés. La garantie exclut les réparations rendues nécessaires par l'usure normale ou l'utilisation de pièces et accessoires incompatibles avec le produit d'extérieur RYOBI® ou nuisibles à son bon fonctionnement, ses performances ou sa durabilité. En outre, cette garanti exclut :

A. Les réglages – Bougies, carburateur, réglages du carburateur, allumage, filtres

B. Les articles consommables – Boutons d'avance par choc, bobines externes, lignes de coupe, bobines internes, poulies et cordons de lanceur, courroies d'entraînement, dents, rondelles en feutre, axes d'attelage, lames de paillage, ventilateur de soufflante, tubes de soufflage et d'aspiration, sacs à débris, guides, chaînes de scie

Techtronic Industries North America, Inc., se réserve le droit d'apporter des modifications ou améliorations à tout produit extérieur RYOBI®, sans obligation de modifier les produits fabriqués antérieurement.

LA DURÉE DE TOUTES LES GARANTIES IMPLICITES NE SAURAIT EN AUCUN CAS EXCÉDER LA PÉRIODE DE GARANTIE DÉCLARÉE. PAR CONSÉQUENT, TOUTES LES GARANTIES IMPLICITES, Y COMPRIS LES GARANTIES DE VALEUR MARCHANDE OU D'ADÉQUATION À UN USAGE PARTICULIER OU AUTRES SERONT INVALIDÉES À L'EXPIRATION DE LA PÉRIODE DE GARANTIE APPROPRIÉE DE TROIS ANS, UN AN OU QUATRE-VINGT-DIX JOURS. LES OBLIGATIONS DE TECHTRONIC INDUSTRIES NORTH AMERICA, INC., DANS LE CADRE DE CETTE GARANTIE SE LIMITENT EXCLUSIVEMENT À LA RÉPARATION OU AU REMPLACEMENT DES PIÈCES DÉFECTUEUSES ET TECHTRONIC INDUSTRIES NORTH AMERICA, INC. N'ASSUME OU N'AUTORISE QUICONQUE À ASSUMER QUELQUE AUTRE OBLIGATION QUE CE SOIT. CERTAINS ÉTATS ET PROVINCES NE PERMETTANT PAS DE LIMITATION DE DURÉE DES GARANTIES IMPLICITES, LES RESTRICTIONS CI-DESSOUS PEUVENT NE PAS ÊTRE APPLICABLES. TECHTRONIC INDUSTRIES NORTH AMERICA, INC., DÉCLINE TOUTE RESPONSABILITÉ EN CE QUI CONCERNE LES DOMMAGES DIRECTS, INDIRECTS OU AUTRES, Y COMPRIS, MAIS SANS S'Y LIMITER, LES FRAIS DE RETOUR DE PRODUITS À UN CENTRE DE RÉPARATION RYOBI AGRÉÉ ET DE RENVOI AU PROPRIÉTAIRE, DE DÉPLACEMENT D'UN TECHNICIEN, DE TÉLÉPHONE OU TÉLÉGRAMME, DE LOCATION D'UN PRODUIT SIMILAIRE PENDANT LA DURÉE DES RÉPARATIONS SOUS GARANTIE, DE DÉPLACEMENT, DE PERTES OU DOMMAGES À DES BIENS PERSONNELS, DE MANQUE À GAGNER, DE PERTE D'USAGE DU PRODUIT, DE PERTE DE TEMPS OU DE DÉRANGEMENT. CERTAINS ÉTATS ET PROVINCES NE PERMETTANT L'EXCLUSION OU LA LIMITATION DES DOMMAGES DIRECTS OU INDIRECTS, LES RESTRICTIONS CI-DESSOUS PEUVENT NE PAS ÊTRE APPLICABLES.

Cette garantie donne au consommateur des droits spécifiques, et celui-ci peut bénéficier d'autres droits, qui varient selon les états ou provinces.

Cette garantie couvre tous les produits d'extérieur RYOBI® fabriqués par Techtronic Industries North America, Inc., vendus aux États-Unis et au Canada.

Pour obtenir l'adresse du centre de réparations Ryobi agréé le plus proche, appeler le 1-800-860-4050.

INSTRUCCIONES DE SEGURIDAD IMPORTANTES

ADVERTENCIA:

Al utilizar herramientas eléctricas para el cuidado del jardín, con el fin de reducir el riesgo de incendio, descargas eléctricas y lesiones corporales, siempre deben seguirse ciertas medidas básicas de precaución.

LEA TODAS LAS INSTRUCCIONES




- Para la operación segura, lea y entienda todas las instrucciones antes de usar este producto. Siga todas las instrucciones de seguridad. La inobservancia de todas las instrucciones de seguridad señaladas abajo puede causar lesiones corporales graves.
- No permita que utilicen esta unidad niños ni personas carentes de la debida instrucción para su manejo.
- Limpie el área de trabajo cada vez antes de usar la unidad. Retire todos los objetos tales como piedras, vidrios rotos, clavos, alambre o cuerdas que pudiesen resultar lanzados o enredados en el hilo de corte o cuchilla, según sea el caso.
- Para utilizar este producto póngase anteojos de seguridad o gafas protectoras marcados con el sello de cumplimiento de la norma ANSI Z87.1.
- Use gafas de seguridad –Siempre use gafas de seguridad con protección lateral. Los anteojos comunes sólo tienen lentes resistentes a los impactos. NO son anteojos de seguridad. Con el cumplimiento de esta regla se reduce el riesgo de posibles lesiones oculares.
- Protéjase los pulmones. Use una careta o mascarilla contra el polvo si la operación genera mucho polvo. Con el cumplimiento de esta regla se reduce el riesgo de lesiones serias.
- Vístase adecuadamente – Se recomienda el uso de guantes de goma y un calzado resistente cuando se trabaja a la intemperie. Póngase pantalones largos de tela gruesa, mangas largo, botas y guantes. No se ponga ropa holgada o pantalones cortos, ni ande descalzo. No se ponga joyas de ninguna clase.
- Recójase el cabello largo arriba del nivel de los hombros para evitar que se enrede en las piezas móviles.
- Mantenga alejados a los niños - Mantenga alejados a todos los circunstantes, niños y animales a una distancia mínima de 15 m (50 pies).
- Permanezca alerta - No use esta unidad cuando se encuentre fatigado, enfermo o bajo los efectos del alcohol, drogas o medicamentos.
- No utilice la unidad en condiciones deficientes de iluminación.
- Mantenga todas las partes del cuerpo alejadas de toda pieza en movimiento.
- No utilice herramientas motorizadas en atmósferas explosivas, como las existentes alrededor de líquidos, gases y polvos inflamables. Las herramientas eléctricas generan chispas que pueden encender el polvo y los vapores inflamables.
- Evite el contacto del cuerpo con objetos conectados a tierra, como las tuberías, radiadores, estufas y refrigeradores. Existe un mayor riesgo de descargas eléctricas si el cuerpo está en contacto con tierra.
- Evite los entornos de trabajo peligrosos - No exponga las aparato or herramienta eléctricas a la lluvia ni a condiciones de humedad. La introducción de agua en una herramienta eléctrica aumenta el riesgo de descargas eléctricas.
- Vístase adecuadamente – No fuerce la herramienta. Utilice la herramienta adecuada para cada tarea. El uso de la herramienta adecuada a la velocidad para la que está diseñada, efectuará el trabajo de mejor y más segura manera.
- No fuerce la herramienta – El uso de la herramienta adecuada a la velocidad para la que está diseñada, efectuará el trabajo de mejor y más segura manera.
- No accione el equipo cuando esté descalzo o al llevar puestas sandalias o calzado liviano similar. Use calzado de seguridad que le proteja sus pies y mejore su postura en superficies resbaladizas.
- No estire el cuerpo para alcanzar mayor distancia Mantenga los pies bien afirmados y el equilibrio. No trate de alcanzar demasiado lejos. Se puede perder el equilibrio al tratar de alcanzar demasiado lejos.
- Evite un arranque accidental de la unidad. Asegúrese de que el interruptor esté en la posición de aseguramiento o de apagado antes de instalar el paquete de baterías. Llevar las herramientas con el dedo en el interruptor o instalar el paquete de baterías en la herramienta con el interruptor puesto es causa común de accidentes.
- No utilice la herramienta si el interruptor no enciende o no apaga. Una herramienta que no pueda controlarse con el interruptor es peligrosa y debe repararse.
- Desconecte la clavija de la toma de corriente antes de guardar la herramienta. Tales medidas preventivas de seguridad reducen el riesgo de poner en marcha accidentalmente la herramienta.
- Sólo utilice piezas de repuesto idénticas y accesorios del fabricante original. El empleo de piezas diferentes puede causar un peligro o dañar el producto.
- Proporcione mantenimiento con cuidado al aparato - Cambie el cabezal del hilo, si está agrietado, desportillado o dañado de cualquier forma. Asegúrese de que el cabezal del hilo, o cuchilla, según sea el caso, esté debidamente instalado y firmemente asegurado. La inobservancia de esta advertencia puede causar lesiones corporales serias. Mantenga la producto y el mango secos, limpios y sin aceite ni grasa.
- Revise para ver si hay piezas dañadas. Antes de seguir utilizando la herramienta, es necesario inspeccionar cuidadosamente toda protección o pieza dañada para determinar si funcionará correctamente y desempeñará la función a la que está destinada. Verifique la alineación de las partes móviles, que no haya atoramiento de partes móviles, que no haya piezas rotas, el montaje de las piezas y cualquier otra condición que pudiera afectar su funcionamiento. Toda protección o pieza que esté dañada debe repararse apropiadamente o reemplazarse en un centro de servicio autorizado para evitar todo riesgo de lesiones.

INSTRUCCIONES DE SEGURIDAD IMPORTANTES










- Asegúrese de que todas las protecciones, correas, mangos y deflectores de hierba estén acoplados debidamente y de manera segura.
- En el cabezal de corte use únicamente hilo de repuesto del fabricante original. No use ningún otro aditamento de corte, por ejemplo, cable metálico, cuerda o producto similar. Instalar cualquier otra marca de hilo de corte en esta recortadora de hilo puede producir lesiones corporales serias.
- Nunca utilice la unidad si el deflector de pasto no está montado en su lugar y en buenas condiciones de funcionamiento.
- Al usar la recortadora, sujétela firmemente por ambos mangos. Mantenga el cabezal del hilo por debajo del nivel de la cintura. Nunca corte con el cabezal del hilo a más de 762 mm (30 pulg.) del suelo.
- Guarde en el interior los artefactos que no esté usando - Mientras no se esté utilizando, la recortadora de hilo debe almacenarse en el interior, en un sitio seco y bajo llave, lejos del alcance de los niños.
- Nunca use hojas, dispositivos movibles, alambre ni cuerdas. Esta unidad se diseñó para usar con recortadora de hilo únicamente. El uso de cualquier otro accesorio o aditamento aumenta el riesgo de lesiones.
- Inspeccione el área por cortar. Retire todos los objetos (piedras, vidrio roto, clavos, alambre, hilo, etc.) que puedan salir disparados o enredarse en el cabezal de corte.
- Mantenga las rejillas de ventilación limpias y sin desechos para evitar que se recaliente el motor. Límpielas cada vez, después de usar la herramienta.
- Apague la unidad y desconecte el suministro de corriente cuando no esté en uso. Traslade la unidad con el motor apagado.
- Guarde la unidad desenchufada y fuera del alcance de los niños.
- No cuelgue la unidad de modo que el gatillo del interruptor quede presionado.
- Las herramientas de baterías no se necesitan conectar a una toma de corriente; por lo tanto, siempre están en condiciones de funcionamiento. Esté consciente de los posibles peligros cuando no esté usando la herramienta de baterías o cuando esté cambiando los accesorios de la misma. Con el cumplimiento de esta regla se reduce el riesgo de una descarga eléctrica, incendio o lesión corporal seria.
- No cargue herramientas de baterías en lugares mojados o húmedos. Con el cumplimiento de esta regla se reduce el riesgo de una descarga eléctrica.
- No use aparatos accionados por baterías en la lluvia.
- Quite o desconecte la batería antes de proporcionarle servicio, realizarle una limpieza o quitar material del aparato para el cuidado del jardín.
- Cargue las baterías solamente con el cargador indicado. Para utilice con baterías de níquel-cadmio y iones de litio. Vea la “Foletto de correlacion de herramienta / aparatos / paquete de baterias/cargador” 987000-432.
- Guarde los aparatos que no se están usando - Cuando no se está usando, se debe guardar la recortadora de hilo en el interior, en un lugar seco y cerrado con llave, inaccesible a los niños.
- No deseche las baterías en el fuego. Las baterías pueden estallar. Verifique los códigos de la localidad para conocer posibles instrucciones especiales para desecharlas.
- No desarme el paquete de baterías. El electrolito emitido es corrosivo y puede causar daños en los ojos y en la piel. Puede ser tóxico si se ingiere.
- No coloque herramientas de baterías ni las baterías mismas cerca del fuego o del calor. De esta manera se reduce el riesgo de explosiones y de lesiones.
- Las baterías pueden explotar en presencia de una fuente de inflamación, como una luz guía. Para reducir el riesgo de lesiones corporales serias, nunca use un producto inalámbrico en presencia de llamas expuestas. La explosión de una pila puede lanzar fragmentos y compuestos químicos. Si ha quedado expuesto a la explosión de una pila, lávese de inmediato con agua.
- No aplaste, deje caer o dañe la pila. Nunca utilice una pila o cargador que se ha caído, aplastado, recibido un golpe contundente o ha sido dañado(a) de alguna manera. Las baterías dañadas pueden sufrir explosiones. Deseche de inmediato toda pila que haya sufrido una caída o cualquier daño.
- Tenga cuidado cuando maneje baterías a fin de no realizar un cortocircuito en la batería con materiales conductores como anillos, brazaletes y llaves. La batería o el conductor pueden recalentarse y provocar quemaduras.
- Para obtener resultados óptimos, debe cargar la herramienta de baterías en un lugar donde la temperatura esté entre 50 °F y 100°F. No guarde la herramienta a la intemperie ni en el interior de vehículos.
- En condiciones extremas de uso o temperatura las baterías pueden emanar líquido. Si el líquido llega a tocarle la piel, lávese de inmediato con agua y jabón, y después neutralice los efectos con jugo de limón o vinagre. Si le entra líquido en los ojos, láveselos con agua limpia por lo menos 10 minutos, y después busque de inmediato atención médica. Con el cumplimiento de esta regla se reduce el riesgo de lesiones corporales serias.
- Si está dañado el cordón de corriente, debe ser reemplazado únicamente por el fabricante o en un centro de servicio autorizado para evitar riesgos.
- Guarde estas instrucciones. Consúltelas con frecuencia y empléelas para instruir a otras personas que puedan utilizar esta herramienta. Si presta a alguien esta herramienta, facilítele también las instrucciones.

SÍMBOLOS

Las siguientes palabras de señalización y sus significados tienen el objeto de explicar los niveles de riesgo relacionados con este producto.

SÍMBOLO	SEÑAL	SIGNIFICADO
	PELIGRO:	Indica una situación peligrosa inminente, la cual, si no se evita, causará la muerte o lesiones serias.
	ADVERTENCIA:	Indica una situación peligrosa posible, la cual, si no se evita, podría causar la muerte o lesiones serias.
	PRECAUCIÓN:	Indica una situación peligrosa posible, la cual, si no se evita, podría causar lesiones menores o leves.
	PRECAUCIÓN:	(Sin el símbolo de alerta de seguridad) Indica una situación que puede producir daños materiales.

Es posible que se empleen en este producto algunos de los siguientes símbolos. Le suplicamos estudiarlos y aprender su significado. Una correcta interpretación de estos símbolos le permitirá utilizar mejor y de manera más segura el producto.

SÍMBOLO	NOMBRE	DENOMINACIÓN/EXPLICACIÓN
	Alerta de seguridad	Indica un peligro posible de lesiones personales.
	Lea manual del operador	Para reducir el riesgo de lesiones, el usuario debe leer y comprender el manual del operador antes de usar este producto.
	Protección ocular	Siempre póngase protección ocular con la marca de cumplimiento de la norma ANSI Z87.1.
	Alerta de condiciones húmedas	No exponga la unidad a la lluvia ni la use en lugares húmedos.
	Mantenga alejadas a las personas presentes	Mantenga a los circunstantes a una distancia mínima de 15 m (50 pies).
	Rebote	Cualquier objeto lanzado puede rebotar y producir lesiones personales o daños físicos.
	No instale hoja de corte	No instale ni utilice ningún tipo de hoja de corte en ningún producto con este símbolo.
	Símbolos de reciclado	Este producto contiene baterías de níquel-cadmio (Ni-Cd) o iones de litio (Li-ion). Es posible que algunas leyes municipales, estatales o federales prohíban desechar las baterías de níquel-cadmio en la basura normal. Consulte a las autoridades reguladoras de desechos para obtener información en relación con las alternativas de reciclado y desecho disponibles.
	Corriente continua	Tipo o característica de corriente
n_0	Velocidad en vacío	Velocidad de rotación, en vacío
.../min	Por minuto	Revoluciones, carreras, velocidad superficial, órbitas, etc., por minuto
V	Volts	Voltaje
Hz	Hertz	Frecuencia (ciclos por segundo)
min	Minutos	Tiempo

CARACTERÍSTICAS

ESPECIFICACIONES

Motor 18 V c.c.
Ancho de corte 305 mm (12 pulg.)
Diámetro del hilo 1,65 mm (0,065 pulg.)

FAMILIARÍCESE CON SU RECORTADORA DE HILO

Vea la figura 1.

El uso seguro que este producto requiere la comprensión de la información impresa en la producto y en el manual del operador así como ciertos conocimientos sobre el proyecto a realizar. Antes de usar este producto, familiarícese con todas las características de funcionamiento y normas de seguridad.

MANGO DELANTERO AJUSTABLE

El conjunto del mango delantero se puede ajustar para facilidad de uso y para ayudar a evitar la pérdida de control.

RUEDA GUÍA PARA RECORTAR BORDES

La guía para recortar bordes, se monta fácilmente y permite utilizar la recortadora de hilo como una recortadora de bordes.

CABEZAL PIVOTANTE DE TRES POSICIONES

El cabezal de la recortadora se puede ajustar en tres posiciones diferentes.

DEFLECTOR DE HIERBA

La recortadora incorpora un deflector de hierba que ayuda

Peso (sin paquete de baterías) 2 kg (4,6 lbs.)
Núm. pieza del carrete de repuesto AC14RSL
Núm. pieza de la tapa del carrete de repuesto AC14HC

a proteger al operador de los desechos lanzados por la producto.

SOBREMOLDEADO GripZone™

El sobremoldeado GripZone™ proporciona mayor comodidad para el operador.

BOTÓN DEL SEGURO

El botón del seguro evita los arranques accidentales.

CÓMO ROTAR EL MANGO TRASERO

El cómo rotar el mango trasero puede bloquearse en dos distintas posiciones para facilitar su uso durante el cortar bordes y recortar.

BRAZO TELESCÓPICO

La recortadora de hilo puede ajustarse a diferentes extensiones para facilitar su manejo.

ARMADO

DESEMPAQUETADO

Este producto requiere armarse.

- Extraiga cuidadosamente de la caja la producto y los accesorios. Asegúrese de que estén presentes todos los artículos enumerados en la lista de empaquetado.

ADVERTENCIA:

Este producto nuevo ha sido enviado en una condición parcialmente armada como explica abajo. Inspeccionar cuidadosamente la lista de empaquetado debajo de asegurar que todos artículos vengan incluidas en el paquete. La lista de empaquetado explica todos artículos flojos que no son armado al producto como enviado. No utilice el producto si cualquier artículos de lista que empaquetado ya son reunidos a su producto cuando usted para desempaque. Llame el número de servicio de atención al cliente abajo para ayuda. Funcionamiento un producto que puede haber estado impropriamente montado podría tener puede causar lesiones graves.

- Inspeccione cuidadosamente la producto para asegurarse de que no haya sufrido ninguna rotura o daño durante el transporte.

- No deseche el material de empaquetado hasta que haya inspeccionado cuidadosamente la producto y la haya utilizado satisfactoriamente.
- Si hay piezas dañadas o faltantes, le suplicamos llamar al 1-800-860-4050, donde le brindaremos asistencia.

LISTA DE EMPAQUETADO

Recortadora a hilo
Conjunto del deflector de hierba con tornillo
Conjunto del mango delantero
Manual del operador

ADVERTENCIA:

Si hay piezas dañadas o faltantes, no utilice esta producto sin haber reemplazado las piezas dañadas o faltantes. La inobservancia de esta advertencia puede causar lesiones graves.

ADVERTENCIA:

No intente modificar esta producto ni hacer accesorios no recomendados para la misma. Cualquier alteración o modificación constituye maltrato el cual puede causar una condición peligrosa, y como consecuencia posibles lesiones corporales serias.

ARMADO

ADVERTENCIA:

Para evitar un arranque accidental que podría causar lesiones corporales serias, siempre desmonte de la producto el paquete de baterías al montarle piezas a aquélla.

ACOPLAMIENTO DEL DEFLECTOR DE HIERBA

Vea las figuras 2 y 3.

ADVERTENCIA:

La cuchilla de cortar el hilo del deflector de pasto está afilada. Evite tocar la cuchilla. Si no evita tal contacto puede originarse lesiones corporales serias.

- Quite el tornillo incluido con un destornillador phillips del cabezal de la recortadora.
- Inserte el deflector de hierba en las ranuras del cabezal de la recortadora.
- Gire el deflector de hierba en sentido antihorario para trabarlo en su lugar.
- Haga coincidir los orificios del deflector de hierba con el orificios central del cabezal de la recortadora.
- Instale el tornillo incluido y apriételo girándolo en sentido horario con un destornillador phillips.

FUNCIONAMIENTO

ADVERTENCIA:

No permita que su familiarización con las herramientas lo vuelva descuidado. Tenga presente que un descuido de un instante es suficiente para causar una lesión grave.

ADVERTENCIA:

Siempre póngase protección ocular con la marca de cumplimiento de la norma ANSI Z87.1. Si no cumple esta advertencia, los objetos que salen despedidos pueden producirle lesiones serias en los ojos.

ADVERTENCIA:

No utilice ningún aditamento o accesorio no recomendado por el fabricante de esta herramienta. El empleo de aditamentos o accesorios no recomendados podría causar lesiones serias.

Este producto acepta los paquetes de baterías Ryobi One+ de iones de litio de 18 V y los paquetes de baterías Ryobi One+ de níquel-cadmio de 18 V.

Para ver las instrucciones de carga completas, consulte los manuales del operador del paquete de baterías Ryobi One+ y los modelos de cargador.

NOTA: Para evitar lesiones corporales serias, siempre desmonte de la herramienta el paquete de baterías y mantenga manos vacías del botón del seguro al llevar herramienta.

ENCENDIDO Y APAGADO DE LA RECORTADORA

Vea la figura 4.

- Para encender la recortadora de hilo, presione el gatillo del interruptor de encendido.
- Para detener la recortadora de hilo, suelte el gatillo del interruptor.

INSTALACIÓN DEL PAQUETE DE BATERÍAS

Vea la figura 5.

- Introduzca el paquete de baterías en el receptáculo para baterías.
- Asegúrese de que los pestillos situados en ambos lados del paquete de baterías se deslicen completamente en su lugar y de que el paquete quede bien fijo en el producto antes de empezar a utilizarlo.

EXTRACCIÓN DEL PAQUETE DE BATERÍAS

Vea la figura 5.

- Oprima los pestillos laterales del paquete de baterías.
- Retire el paquete de baterías.

BRAZO TELESCÓPICO

Vea la figura 6.

El brazo puede extenderse o acortarse para facilitar su manejo.

- Retire el paquete de baterías.
- Afloje el acoplador para cortar bordes girándolo hacia la izquierda. Deslice el brazo a la posición deseada.
- Aflojar el acoplador para cortar bordes.

MANGO DELANTERO AJUSTABLE

Vea la figura 7.

El ángulo del mango delantero puede ajustarse a 180°.

- Retire el paquete de baterías.
- Coloque la recortadora en una superficie plana y gire la perilla hacia la izquierda para aflojar el mango.

FUNCIONAMIENTO

- Coloque la recortadora en una superficie plana y gire la perilla hacia la izquierda para aflojar el mango.
- Para recortar, ajuste el mango hacia arriba.
- Para cortar bordes, ajuste el mango hacia abajo.
- Gire la perilla hacia la derecha hasta que el mango esté firmemente apretado antes de volver a instalar el paquete de baterías.

CABEZAL PIVOTANTE DE TRES POSICIONES

Vea la figura 8.

El cabezal de la recortadora se puede ajustar en tres posiciones diferentes.

- Retire el paquete de baterías.
- Oprima el botón del pivote y mueva el cabezal de la recortadora hacia arriba o hacia abajo hasta una de las tres posiciones indicadas por las muescas.

NOTA: Ajuste el cabezal de la recortadora en la primera y segunda muesca para recortar y cortar bordes. Ajústelo en la tercera muesca únicamente para almacenar la unidad.

- Asegúrese de que el cabezal de la recortadora esté firmemente fijo en su lugar antes de volver a instalar el paquete de baterías.

MANEJO DE LA RECORTADORA

Vea la figura 9.

Siga las siguientes recomendaciones a manejar la recortadora de hilo:

- Sujete la recortadora con la mano derecha en el mango trasero y la izquierda en el delantero.
- Sujete firmemente la unidad con ambas manos durante la operación.
- Se recomienda sujetar la recortadora en una posición cómoda, con el mango trasero a la altura de la cadera aproximadamente.
- Corte la hierba alta desde arriba hacia abajo. Esto evitará que la hierba se enrolle alrededor del alojamiento del eje y del cabezal del brazo, lo que puede causar daños por calentamiento excesivo.

Si la hierba se enrolla en el cabezal del hilo:

- Desenchufe la recortadora de hilo.
- Quite la hierba.



ADVERTENCIA:

Siempre sujete la recortadora de hilo lejos de su cuerpo, manteniendo un espacio entre ambos. El contacto con el cabezal de corte de la recortadora de hilo durante su operación puede causar lesiones personales graves.

RECOMENDACIONES DE CORTE

Vea la figura 10.

- Mantenga la recortadora inclinada hacia el área de corte; ésta es el área óptima.
- La recortadora de hilo efectúa el corte al pasar la unidad de derecha a izquierda. De esta manera se evita el lanzamiento de desechos hacia el operador. Evite recortar en el área peligrosa mostrada en la figura 10.
- Haga que el recorte sea efectuado por la punta del hilo; no fuerce el cabezal del hilo en la hierba sin cortar.
- Las cercas de alambre y de estacas causan desgaste adicional del hilo, incluso su ruptura. Los muros de piedra

y de ladrillo, así como las banquetas (aceras) y la madera pueden desgastar rápidamente el hilo.

- Evite el contacto con árboles y arbustos. La corteza de los árboles, las molduras de madera, los revestimientos de las paredes y los postes de las cercas pueden resultar dañados fácilmente por el hilo.

AVANCE DEL HILO

NOTA: La recortadora es equipada con una cabeza de auto-comida. Golpear la cabeza para tratar de avanzar la línea dañará la garantía de trimmer y vacío.

- Haga funcionar la recortadora, suelte el gatillo del interruptor.
- Espere dos segundos y oprima el gatillo del interruptor.

NOTA: El hilo se extiende aproximadamente 6,35 mm (1/4 pulg.) cada vez que se apaga y enciende el gatillo del interruptor hasta que el hilo alcanza la longitud de la cuchilla de corte del deflector de pasto.

- Reanude el recorte.

AVANCE MANUAL DEL HILO

Vea la figura 11.

- Retire el paquete de baterías.
- Oprima el botón negro ubicado en el cabezal del hilo mientras tira del hilo para avanzar manualmente el hilo.

CUCHILLA DE CORTE DEL HILO

Vea la figura 12.

Esta recortadora está equipada con una cuchilla de corte instalada en el protección. Para obtener mejores resultados en el recorte, avance el hilo hasta que la cuchilla lo corte a la longitud apropiada. Avance el hilo siempre que escuche que el motor está funcionando más rápido de lo normal, o cuando disminuya la eficiencia del recorte. Esto mantendrá un desempeño óptimo y mantendrá el hilo a la suficiente longitud para que avance correctamente.

CÓMO ROTAR EL MANGO TRASERO

Vea la figura 13.

- Retire el paquete de baterías.
- Empuje el botón del recorte de bordes y gire el mango a la izquierda.
- Suelte el botón del brazo telescópico y gire el mango a la izquierda hasta que el botón del recorte de bordes quede asegurado en su lugar.

RECORTE DE BORDES

Vea las figuras 12 - 14.

- Retirar el bloc de piles.

El mango giratorio puede usarse en combinación con la guía para el recorte de bordes en banquetas (aceras) y veredas de entrada. Para utilizar la guía para el recorte de bordes, el golpe hacia abajo de lo ha almacenado la posición.

Siempre sujete la recortadora de hilo lejos del cuerpo, manteniendo un espacio entre el cuerpo y la herramienta.

Cualquier contacto del cuerpo con la armazón o el cabezal de corte de la recortadora de hilo puede producir quemaduras y/o otras lesiones serias.

MANTENIMIENTO

ADVERTENCIA:

Al dar servicio a la unidad, sólo utilice piezas de repuesto idénticas. El empleo de piezas diferentes puede causar un peligro o dañar el producto.

ADVERTENCIA:

Siempre use gafas de seguridad o anteojos protectores con protección lateral al usar herramientas eléctricas o al soplar el polvo con aire comprimido. Si la operación genera mucho polvo, también póngase una mascarilla contra el polvo.

ADVERTENCIA:

Para evitar lesiones corporales serias, siempre retire el paquete de baterías de la herramienta al limpiarla o darle mantenimiento.

MANTENIMIENTO GENERAL

Antes de cada uso, inspeccione todo el producto para detectar algún daño, partes faltantes o sueltas, como tornillos, tuercas, pernos, tapas, etc. Ajuste firmemente todos los sujetadores y las tapas y no active este producto hasta que todas las partes faltantes o dañadas sean reemplazadas. Llame al 1-800-860-4050 o comuníquese con un centro de servicio autorizado para recibir asistencia.

Evite el empleo de solventes al limpiar piezas de plástico. La mayoría de los plásticos son susceptibles a diferentes tipos de solventes comerciales y pueden resultar dañados. Utilice paños limpios para eliminar la suciedad, el polvo, el aceite, la grasa, etc.

ADVERTENCIA:

No permita en ningún momento que fluidos para frenos, gasolina, productos a base de petróleo, aceites penetrantes, etc., lleguen a tocar las piezas de plástico. Las sustancias químicas pueden dañar, debilitar o destruir el plástico, lo cual a su vez puede producir lesiones corporales serias.

Solamente las piezas mostradas en la lista de piezas pueden ser reparadas o cambiadas por el consumidor. Todas las piezas restantes deben ser reemplazadas en un centro de servicio autorizado.

REMOCIÓN Y PREPARACIÓN DEL PAQUETE DE BATERÍAS PARA EL RECICLADO

ADVERTENCIA:

Al retirar el paquete de baterías, cubra las terminales del mismo con cinta adhesiva reforzada. No intente destruir o desarmar el paquete de baterías, ni de desmontar ninguno de sus componentes. Las baterías deben reciclarse o desecharse debidamente. Asimismo, nunca toque ambas terminales con objetos metálicos y partes del cuerpo, ya que puede producirse un corto circuito. Manténgase fuera del alcance de los niños. La inobservancia de estas advertencias puede causar incendios y lesiones corporales serias.

REEMPLAZO DEL CARRETE

Veja la figura 15.

Use únicamente hilo monofilar redondo de 1,65 mm (0,065 pulg.) de diámetro. Use el hilo de repuesto del fabricante original para obtener el mejor desempeño.

- Retire el paquete de baterías.
- Presione hacia dentro las pestañas laterales del retén del carrete.
- Empuje el retén del carrete hacia arriba para extraerlo.
- Extraiga el cabezal de hilo.
- Para instalar el nuevo carrete, asegúrese de que se capturen los dos hilo en las ranuras opuestas entre sí en el nuevo carrete. Asegúrese de que los extremos de cada hilo sobresalgan aproximadamente 152 mm (6 in.) de cada ranura.
- Instale el nuevo carrete de manera que el hilo y las ranuras queden alineados con el ojillo más cercano del cabezal del hilo. Pase los hilo por los ojales.
- Tire de los hilo desde el cabezal del hilo para que el hilo se suelte de las ranuras del carrete.
- Vuelva a instalar el retén del carrete presionando las pestañas en sus ranuras y empujándolas hacia abajo hasta que el retén quede sujeto en su lugar.

REEMPLAZO DEL HILO

Veja las figuras 15 y 16.

- Retire el paquete de baterías.
 - Quite el carrete del cabezal del hilo.
- NOTA:** Retire todo el hilo sobrante en el carrete.
- Corte una pieza de hilo de aproximadamente 2,7 m (9 pies) de largo. Use únicamente hilo monofilar de 1,65 mm (0,065 pulg.) de diámetro.
 - Introduzca el hilo en el orificio de sujeción de la parte superior del carrete. Enrolle hacia la derecha el hilo alrededor de la parte superior del carrete, según lo indican las flechas en el carrete. Coloque el hilo en la ranura de la pestaña superior del carrete, y deje que sobresalga aproximadamente 152 mm (6 pulg.) de la ranura. No lo llene en exceso. Después de enrollar el hilo, debe haber una separación mínima de 6 mm (1/4 pulg.) entre el hilo enrollado y el borde exterior del carrete.
 - Vuelva a colocar el retén de plástico, el carrete y el retén de éste. Consulte la sección **Reemplazo del carrete** previamente expuesta en este manual.

ALMACENAMIENTO DE LA RECORTADORA

- Retire el paquete de baterías de la recortadora de hilo antes de almacenarla.
- Limpie todos los desechos presentes en la recortadora.
- Almacene la unidad en un espacio inaccesible a los niños.
- Mantenga la unidad alejada de agentes corrosivos como los productos químicos para el jardín y las sales para derretir el hielo.

Núm. pieza del carrete de repuestoAC14RSL

Núm. pieza de la tapa del carrete de repuesto AC14HC

CORRECCIÓN DE PROBLEMAS

PROBLÈME	POSSIBLE CAUSE	SOLUTION
El hilo no avanza cuando se usa el cabezal con alimentación automática:	1. El hilo se pegó a sí mismo.	1. Lubrique con rociador de silicón.
	2. No hay suficiente hilo en el carrete	2. Instale más hilo. Vea la sección Reemplazo del hilo arriba en este manual.
	3. El hilo se desgastó hasta quedar muy corto.	3. Tire de hilo secuencias mientras que presiona el botón.
	4. El hilo está enredado en el carrete.	4. Retire el hilo del carrete y vuelva a enrollarlo. Vea la sección Reemplazo del hilo arriba en este manual.
El césped se enrolla alrededor del alojamiento del eje y del cabezal del hilo:	Se está cortando la hierba alta a nivel del suelo.	Corte la hierba alta desde la parte superior hacia abajo.
Le moteur ne démarre pas.	La batería no está fija.	Para fijar el paquete de baterías, asegúrese de que los pestillos situados a ambos lados del paquete de baterías entren completamente en su lugar con un chasquido.
	La batería no está cargada.	Cargue el paquete de baterías según las instrucciones incluidas con su modelo.



LLÁMENOS PRIMERO

Si tiene preguntas sobre el funcionamiento o el mantenimiento este producto, llame al teléfono de atención al consumidor de Ryobi®!

La recortadora ha sido probada enteramente antes de embarcarse para asegurar la satisfacción del consumidor.

GARANTÍA

DECLARACIÓN DE LA GARANTÍA LIMITADA

Techtronic Industries North America, Inc. garantiza al comprador original al menudeo que este producto de la marca RYOBI® carece de defectos en los materiales y en la mano de obra, y acuerda reparar o reemplazar, a la sola discreción de Techtronic Industries North America, Inc., cualquier producto defectuoso, sin cargo alguno al comprador, dentro de los siguientes períodos de tiempo a partir de la fecha de compra.

- Tres años si los productos se emplean para uso personal, familiar o casero;
- 90 días si el producto se emplea para cualquier otro propósito, como el uso comercial o el de alquiler.

Esta garantía se otorga solamente al comprador original al menudeo, y comienza en la fecha de la compra original al menudeo.

Cualquier parte de este producto Techtronic Industries North America, Inc. que, a juicio razonable de la compañía, tenga defectos en los materiales o en la mano de obra, será reparado o reemplazado por un centro de servicio autorizado de herramientas para uso en el exterior de la marca RYOBI®, sin cargo alguno al comprador por concepto de piezas y mano de obra (Centro de Servicio Autorizado Ryobi).

El producto, incluida toda pieza defectuosa, debe enviarse a un centro de servicio autorizado Ryobi dentro del período de la garantía. El gasto de enviar el producto al centro de servicio para cualquier trabajo cubierto por la garantía, así como el gasto de devolverlo al propietario después de la reparación, correrán por cuenta del propietario. La responsabilidad de Techtronic Industries North America, Inc. con respecto a todo reclamo se limita a las reparaciones o reemplazo del producto, y ningún reclamo de incumplimiento de la garantía será causante de la cancelación o rescisión del contrato de venta de ninguna herramienta de uso en el exterior de la marca RYOBI®. En el establecimiento se requerirá el recibo de compra para respaldar cualquier reclamo al amparo de la garantía. Todo trabajo cubierto en la garantía debe ser realizado por un concesionario de servicio autorizado.

Esta garantía se limita a noventa (90) días a partir de la fecha original de la compra de cualquier herramienta de uso en el exterior de la marca RYOBI® empleada para propósitos comerciales o de alquiler, o cualquier otro propósito generador de ingresos.

Esta garantía no cubre ningún producto que haya sido sujeto a un uso indebido, maltrato, negligencia o accidente, o que haya sido utilizado de cualquier forma contraria a las instrucciones de manejo especificadas en el manual del operador del producto. Esta garantía no aplica a ningún daño en el producto que resulte de un mantenimiento indebido ni a ningún producto que haya sido alterado o modificado. La garantía no cubre ninguna reparación necesaria por el uso normal ni por el uso de piezas o accesorios que sean incompatibles con la herramienta para uso exterior de la marca RYOBI®, o afecten de forma desfavorable su funcionamiento, desempeño o durabilidad.

Además, esta garantía no cubre:

A. Afinación – Bujías, carburador, ajustes del carburador, encendido, filtros

B. Artículos sujetos a desgaste – Perillas de tope, carretes exteriores, hilos de corte, carretes interiores, poleas del arrancador, cuerdas del arrancador, correas de transmisión, aspas, arandelas de fieltro y pasadores de enganche, hojas de triturar, ventiladores de sopladoras, tubos de sopladoras y de aspiradoras, sacos y correas de aspiradoras, barras guía y cadenas de sierras

Techtronic Industries North America, Inc. se reserva el derecho a cambiar o mejorar el diseño de cualquier herramienta para uso en el exterior de la marca RYOBI® sin asumir ninguna obligación de modificar ningún producto fabricado previamente.

TODAS LAS GARANTÍAS IMPLÍCITAS ESTÁN LIMITADAS EN DURACIÓN SEGÚN EL PERÍODO DE GARANTÍA DECLARADA. POR CONSIGUIENTE, CUALQUIER GARANTÍA IMPLÍCITA, INCLUSO LAS DE COMERCIABILIDAD, IDONEIDAD PARA UN PROPÓSITO EN PARTICULAR, O DE CUALQUIER TIPO, PIERDEN TOTALMENTE SU VALIDEZ DESPUÉS DEL VENCIMIENTO DEL PERÍODO DE GARANTÍA CORRESPONDIENTE DE TRES AÑOS, UN AÑO O NOVENTA DÍAS. DE CONFORMIDAD CON ESTA GARANTÍA, LA OBLIGACIÓN DE TECHTRONIC INDUSTRIES NORTH AMERICA, INC. SE LIMITA ESTRICTA Y EXCLUSIVAMENTE A LA REPARACIÓN O REPLAZO DE LAS PIEZAS DEFECTUOSAS, Y TECHTRONIC INDUSTRIES NORTH AMERICA, INC. NO ASUME NINGUNA OTRA OBLIGACIÓN, NI AUTORIZA A NADIE ASUMIRLA A NOMBRE DE DICHA COMPAÑÍA. ALGUNOS ESTADOS NO PERMITEN LIMITACIONES EN CUANTO A LA DURACIÓN DE UNA GARANTÍA IMPLÍCITA, POR LO CUAL ES POSIBLE QUE LA LIMITACIÓN ANTERIOR NO SE APLIQUE EN EL CASO DE USTED. TECHTRONIC INDUSTRIES NORTH AMERICA, INC. NO ASUME NINGUNA RESPONSABILIDAD POR DAÑOS DIRECTOS, INDIRECTOS O DE NINGÚN OTRO TIPO, COMO EL GASTO DE ENVIAR EL PRODUCTO A UN CENTRO DE SERVICIO AUTORIZADO RYOBI Y EL GASTO DE ENVIARLO DE ALLÍ AL PROPIETARIO, EL TIEMPO DE VIAJE DEL MECÁNICO, CARGOS TELEFÓNICOS O TELEGRÁFICOS, ALQUILER DE UN PRODUCTO SUSTITUTO DURANTE EL TIEMPO DE REALIZACIÓN DEL SERVICIO DE LA GARANTÍA, VIAJES, PÉRDIDA O DAÑOS A OBJETOS DE PROPIEDAD PERSONAL, PÉRDIDA DE INGRESOS, PÉRDIDA DEL USO DEL PRODUCTO, PÉRDIDA DE TIEMPO O INCONVENIENTES. EN ALGUNOS ESTADOS NO SE PERMITE LA EXCLUSIÓN O LIMITACIÓN DE DAÑOS DIRECTOS O INDIRECTOS, POR LO CUAL ES POSIBLE QUE LA LIMITACIÓN O EXCLUSIÓN DESCRITA ARRIBA NO SE APLIQUE EN SU CASO.

Esta garantía le confiere derechos legales específicos, y es posible que usted goce de otros derechos, los cuales pueden variar de estado a estado.

Esta garantía se aplica a todas las herramientas para uso en el exterior de la marca RYOBI® fabricadas por Techtronic Industries North America, Inc. y vendidos en Estados Unidos y Canadá.

Para encontrar el centro de servicio autorizado Ryobi más cercano a usted, llame al 1-800-860-4050.



OPERATOR'S MANUAL
MANUEL D'UTILISATION / MANUAL DEL OPERADOR
18 VOLT STRING TRIMMER/EDGER
18 V TONDEUSE À FOUET/TAILLE-BORDURE
18 V RECORTADORA DE HILO/RECORTADORA DE BORDES
P2005

⚠ WARNING:
 This product may contain chemicals, including lead, known to the State of California to cause cancer, birth defects, or other reproductive harm. Wash hands after handling.

⚠ AVERTISSEMENT :
 Ce produit peut contenir des produits chimiques, notamment du plomb, identifiés par l'état de Californie comme causes de cancer, de malformations congénitales et d'autres troubles de l'appareil reproducteur. Bien se laver les mains après toute manipulation.

⚠ ADVERTENCIA:
 Este producto puede contener sustancias químicas (por ejemplo, plomo) reconocidas por el estado de California como causantes de cáncer, defectos congénitos y otras afecciones del aparato reproductor. Lávese las manos después de utilizar el aparato.

RYOBI is a registered trademark of Ryobi Limited and is used pursuant to a license granted by Ryobi Limited.

RYOBI est une marque déposée de RYOBI Limited et est utilisée en vertu d'une licence accordée par Ryobi Limited.

RYOBI es una marca registrada de Ryobi Limited y se utiliza conforme a una licencia otorgada por Ryobi Limited.

- **PARTS AND SERVICE**
 Prior to requesting service or purchasing replacement parts, please obtain your model and serial number from the product data plate.
- **MODEL NO. P2005 SERIAL NO.** _____
- **HOW TO OBTAIN REPLACEMENT PARTS:**
 Replacement parts can be purchased online at www.ryobitools.com or by calling 1-800-860-4050. Replacement parts can also be obtained at one of our Authorized Service Centers.
- **HOW TO LOCATE AN AUTHORIZED SERVICE CENTER:**
 Authorized Service Centers can be located online at www.ryobitools.com or by calling 1-800-860-4050.
- **HOW TO OBTAIN CUSTOMER OR TECHNICAL SUPPORT:**
 To obtain Customer or Technical Support please contact us at 1-800-860-4050.

• • • • •

- **PIÈCES ET SERVICE**
 Avant de faire la demande de service ou l'achat de pièces de remplacement, veuillez obtenir le numéro de série du modèle à partir de la plaque de données du produit.
- **NUMÉRO DE MODÈLE P2005 NUMÉRO DE SÉRIE** _____
- **COMMENT OBTENIR LES PIÈCES DE REMPLACEMENT :**
 Les pièces de remplacement peuvent être achetées en ligne sur le site www.ryobitools.com ou par téléphone au 1-800-860-4050. Les pièces de remplacement peuvent être obtenues à un de nos centres de service autorisés.
- **COMMENT TROUVER UN CENTRE DE SERVICE AUTORISÉ :**
 Les centres de service autorisés peuvent être localisés en ligne au www.ryobitools.com ou en téléphonant au 1-800-860-4050.
- **COMMENT OBTENIR DE L'AIDE EN CONTACTANT LE SERVICE À LA CLIENTÈLE :**
 Pour contacter le service à la clientèle pour une question technique ou pour tout autre renseignement, veuillez nous téléphoner au 1-800-860-4050.

• • • • •

- **PIEZAS DE REPUESTO Y SERVICIO**
 Antes de solicitar servicio técnico o comprar piezas de repuesto, obtenga su modelo y número de serie de la placa de datos del producto.
- **NÚMERO DE MODELO P2005 NÚMERO DE SERIE** _____
- **CÓMO OBTENER PIEZAS DE REPUESTO:**
 Las piezas de repuesto se pueden comprar en nuestro sitio en la red mundial, en la dirección www.ryobitools.com o llamando al 1-800-860-4050. Las piezas de repuesto también se pueden obtener en uno de nuestros Centros de Servicio Autorizados.
- **CÓMO LOCALIZAR UN CENTRO DE SERVICIO AUTORIZADO:**
 Puede encontrar los Centros de Servicio Autorizados visitando nuestro sitio en la red mundial, en la dirección www.ryobitools.com or by calling 1-800-860-4050.
- **CÓMO OBTENER SERVICIO O ASISTENCIA TÉCNICA AL CONSUMIDOR:**
 Para obtener Servicio o Asistencia Técnica al Consumidor, sírvase comunicarse con nosotros llamando al 1-800-860-4050.

TECHTRONIC INDUSTRIES NORTH AMERICA, INC.

1428 Pearman Dairy Road, Anderson, SC 29625 USA
 1-800-860-4050 • www.ryobitools.com